

Parameters

Electrical Parameters:	
Buspro Working Voltage	DC15~30V
Buspro Power Consumption	30mA/DC24V
Relay Channel Output	6CH/10A
0-10V Output	6CH/10mA (Total current is less than 100mA)
Environmental Conditions:	
Working Temperature	-5°C~45°C
Working Relative Humidity	Up to 90%
Storage Temperature	-20°C~+60°C
Storage Relative Humidity	Up to 93%
Approved	
CE	
RoHS	
Product Information:	
Dimensions	144×90×66 (mm)
Weight	449.5(g)
Housing Material	Nylon, PC
Installation	35mm DIN rail installation
Protection	IP20

Important Notes

- Buspro cable - HDL Buspro/KNX cable, 0.8mm single-core copper cable
- Buspro Connection - Series connection (hand-in-hand)
- Load in each channel – less than 800w Dimmable Fluorescent Tube
- 0-10V Load-Output in each channel is 100mA, total in 6 channels are less than 300mA
- Extra Power Input - 0-10V Output needs to connect a Exterior 24V DC Power supply. Power supply from HDL Buspro is not allowed
- Each channel needs to connect a breaker or fuse for protection
- Installation Position: Distribution Box (DB)

HDL Buspro Definition for Cable

CAT5/CAT5E	HDL Buspro	HDL Buspro/KNX
Brown/ Orange	DC24V	Red
Brown white/ Orange white	COM	Black
Blue white/ Green white	DATA-	White
Blue/ Green	DATA+	Yellow

Overview



HDL-MRDA0610.432 6 channel 10A DC0 - 10V output module is a multifunction control module. It has 6 channel relay outputs, which suitable for on/off control. It has also 6 channel 0-10V analog signal outputs (support input and output), which is suitable for controlling the 0-10V Dimmable fluorescent Tube, 0-10V LED light, etc. The module is to be used in lighting, on/off control in the application of office and building.

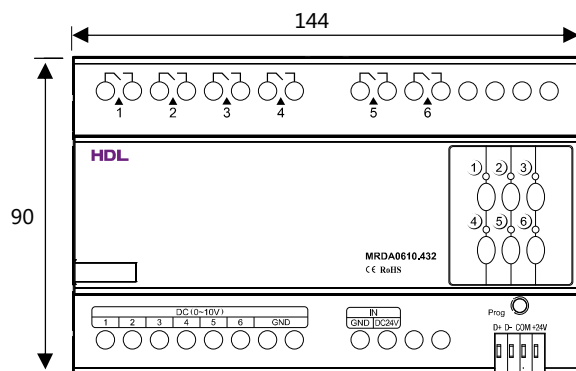
Functions

- Up to 6 separate areas, max 12 scenes in each area
- Up to 6 sequence, each sequence has 12 steps, running time for each step is 60 minutes, the sequence has 4 running modes: "forward", "backward", "forward and backward", "random"
- Low, high, max threshold for each channel, suitable for different load
- Bypass button for manual control available for each channel
- It is optional setting of choosing a designated scene or back to previous scene when power on again after power off
- Easy program mode is available
- Support HDL Buspro online upgrading

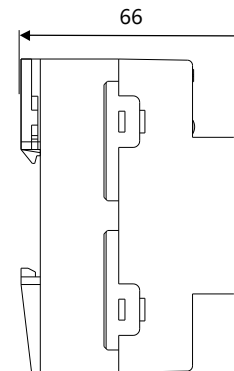
Installation Step

- 35mm DIN rail installation, inside DB Box.
- Connect Load, 0-10V cable, HDL Buspor cable.
- Check the HDL Buspro connection, avoid any mistakes.
- Check the load connection and also 0-10V, make sure the positive and negative poles are connected correctly.

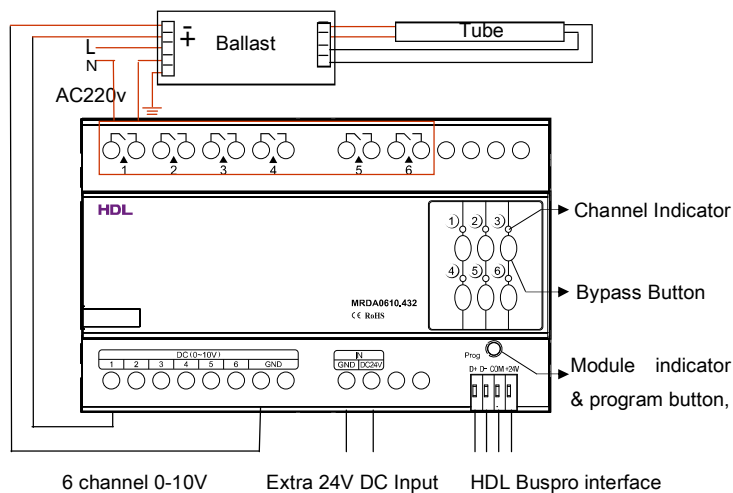
Dimensions and Wiring



Front View



Side view



Note : Take the connection of channel 1 as an example

Indicator for module and easy program mode

Indicator : Flickers when the module is working properly. Keep pressing the indicator for 3 seconds, it turns to red , then user can read and modify the address of the module in the HDL Buspro set up software.

Steps for easy program mode:

- 1 Keep pressing the module indicator for 20S , all output channels will be turned off automatically , indicator is flickering fast.
- 2 Press button 9, 10 of DLP switch together to enter programming mode.
- 3 Turn on the channel which needs to be programmed by using the bypass button
- 4 Choose a button to be used to control the channel selected in step 3.
- 5 Press the Indicator again, finish the programming.

This function is to be used with the new generation of DLP.

Safety precaution



- Each channel needs to connect breaker or fuse for protection
- The screw down strength should not exceed 0.85Nm
- Do not make wrong connection on Buspro interface, it will damage the Buspro interface of this module
- Never let liquids get into the module, it will damage this device
- Do not get AC power into Bus wire , it will damage all devices in the system
- Avoid contact with liquids and aggressive gases

Packing List

- Datasheet*1 / HDL-MRDA0610.432*1

