

EXTRA-LARGE UNIVERSAL TOOL-FREE PROJECTOR MOUNT

VCTU

OVERVIEW

The **VCTU Extra-Large Universal Tool-Free Projector Mount** was designed to install quickly while maintaining a sleek aesthetic. Lighter and slimmer than its predecessor, the VCM, the VCT works well with laser projectors between 50-150 lbs (22.7-68 kg). Tool-free MicroZone adjustment ensures accurate and reliable image registration.

FEATURES

- Low profile
- The new VCT is 30% slimmer than the VCM mount
- Lightweight
- The new VCT is 25% lighter than the VCM mount
- Sleek aesthetic
 - Matching knobs and hardware
 - Available in black and white finish options
- Tool-free MicroZone+ pitch adjustment
 - The fine tune pitch adjustment has a 100:1 gear ratio for precise image alignment
 - Can be hand adjusted using the tool-free knob or driven with a 1/2" (13mm) socket
 - PrecisionSet™ technology to lock in pitch adjustments
- Tool-free MicroZone™ roll and yaw adjustments
- Gear driven tool-free knob adjustments
- Lockout nuts enable additional image lock security
- Universal interface
- Universal plate is sized to accommodate most patterns within footprint
- Short attachment legs reduce clutter for smaller projector installation patterns
- Long attachment legs extend reach for larger projector installation patterns
- Custom interfaces also available

VCTUW



VCTUB



HCUB Universal Interface



Tool-free MicroZone™ Adjustments

EXTRA-LARGE UNIVERSAL TOOL-FREE PROJECTOR MOUNT

ACCESSORIES



CMA348
Large Venue Vibration
Isolating Coupler,
Black or White



PG4A
Extra-Large Venue Projector
Guard, Black or White



EXTENSION (FIXED)
Speed-Connect Fixed
Extension Column



**EXTENSION
(ADJUSTABLE)**
Speed-Connect Adjustable
Columns



**EXTENSION
ADAPTERS**



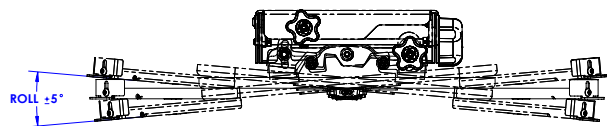
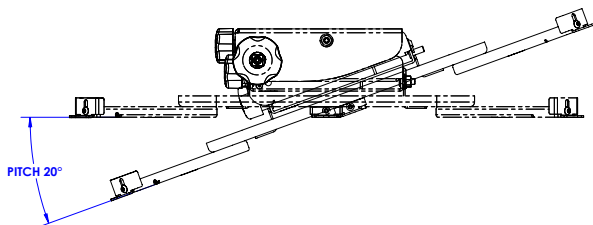
**STRUCTURAL
ADAPTERS**



CEILING PLATES

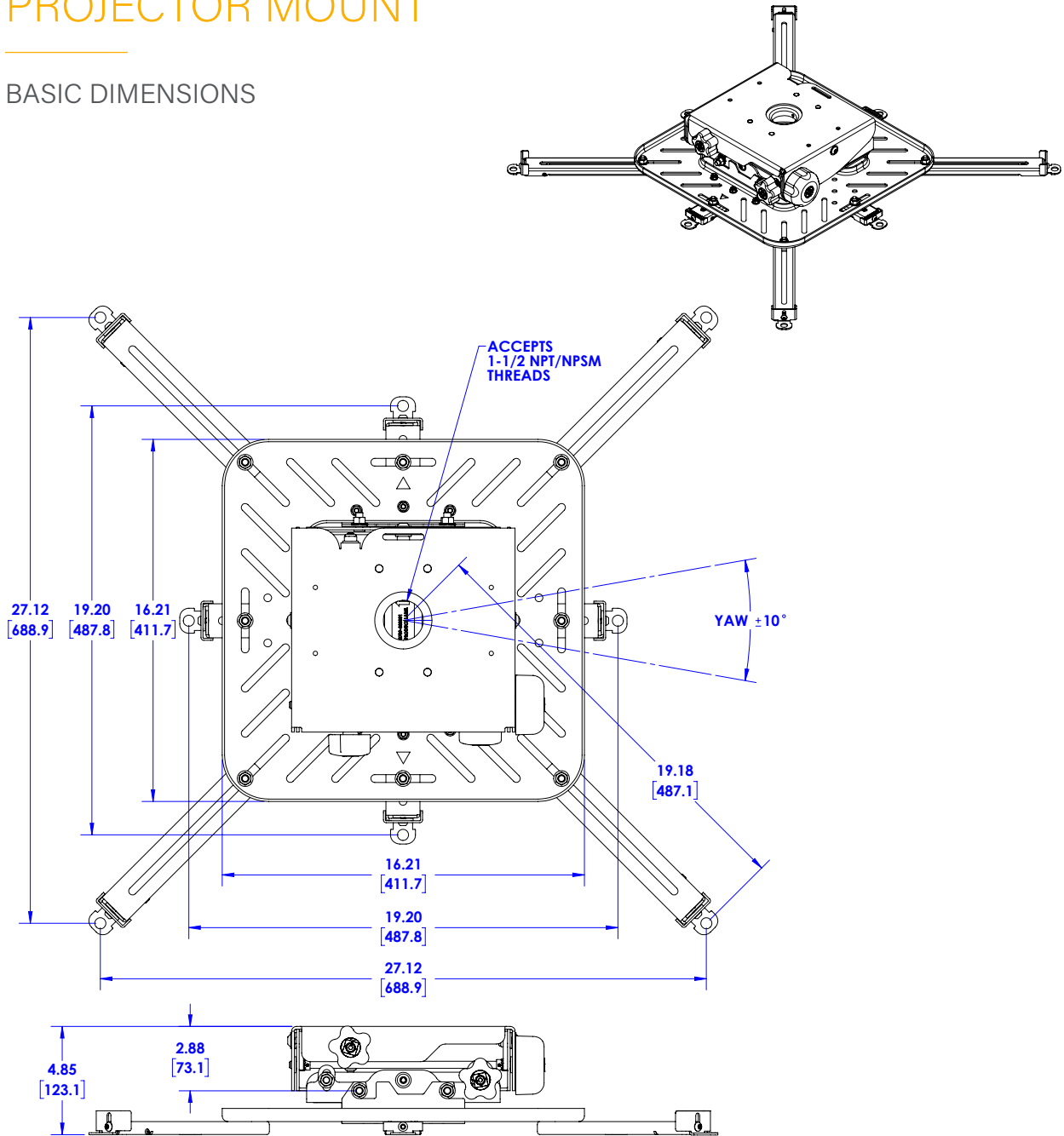
SPECIFICATIONS

ADJUSTMENTS	Micro Roll +/- 5°, Micro Pitch +/- 20°, Micro Yaw +/- 10°, Macro Yaw 360°
CERTIFICATIONS	TÜV Certified, UL Listed
COLOR	Black
SOLUTION TYPE	Universal
WEIGHT CAPACITY	150 lbs (68 kg)



EXTRA-LARGE UNIVERSAL TOOL-FREE PROJECTOR MOUNT

BASIC DIMENSIONS



LEGRAND | AV COMMERCIAL BRANDS

C2G | Chief | Da-Lite | Luxul | Middle Atlantic | Vaddio | Wiremold

INSTALLER INSPIRED | legrandav.com

USA 866.977.3901 av.chief.support@legrand.com CANADA 877.345.4329 av.chief.canada@legrand.com

EMEA +31 495 580 840 av.emea.sales@legrand.com APAC +852 2145 4099 av.asia.sales@legrand.com

©2022 Legrand AV Inc. 220162 Rev A 04/22 Chief is a registered trademark of Legrand AV Inc. All other brand names or marks are used for identification purposes and are trademarks of their respective owners. All patents are protected under existing designations. Other patents pending.