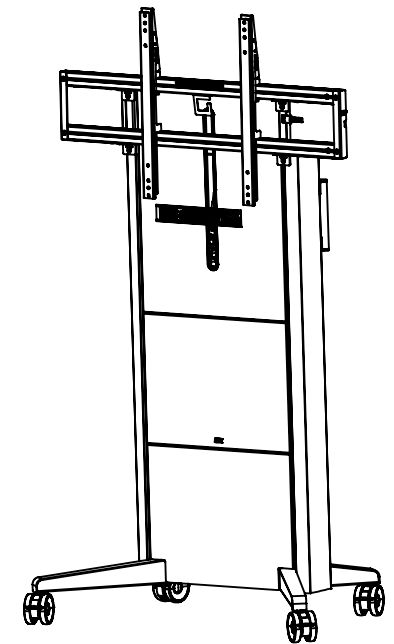
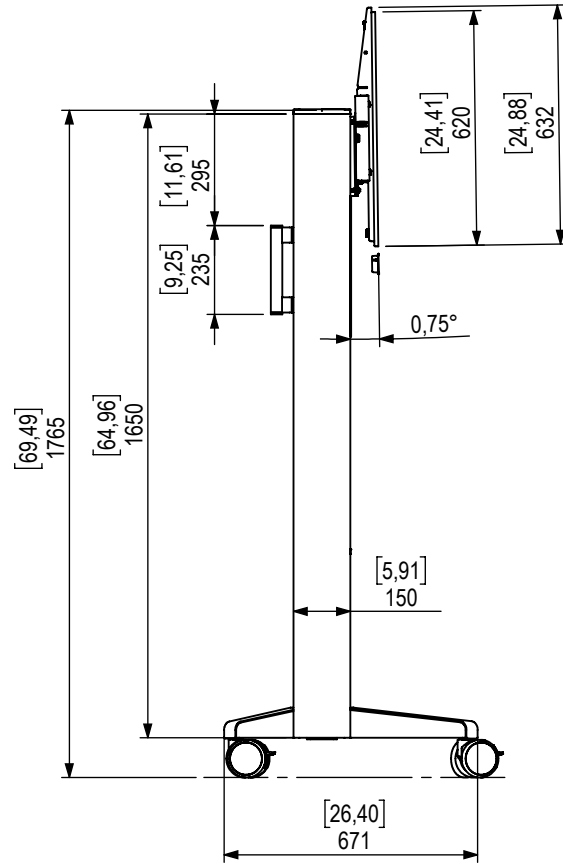
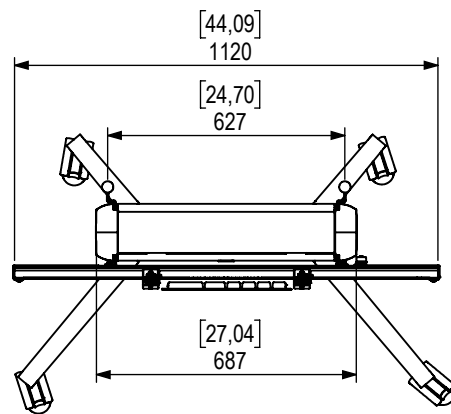
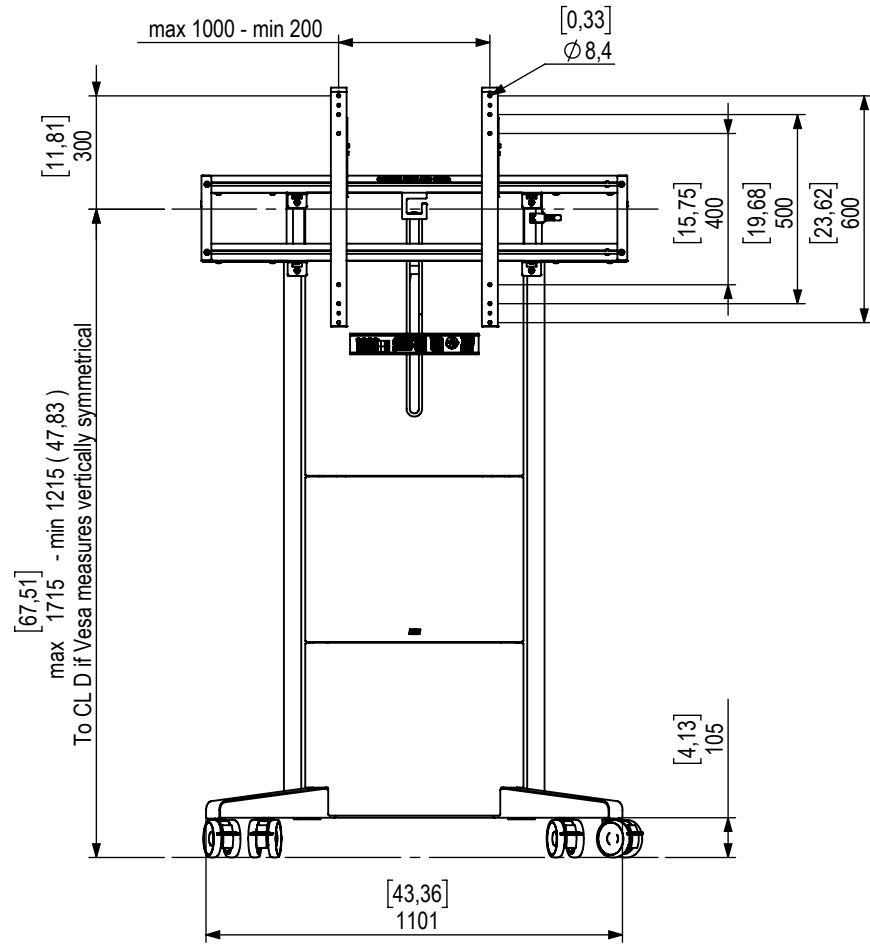


Technical drawing (mm/inch)
 K05-101-22 / K05-101-62 Presence Mobile Motor 1000x600 (Scale 1:20)



CL D - Centrum Line Display