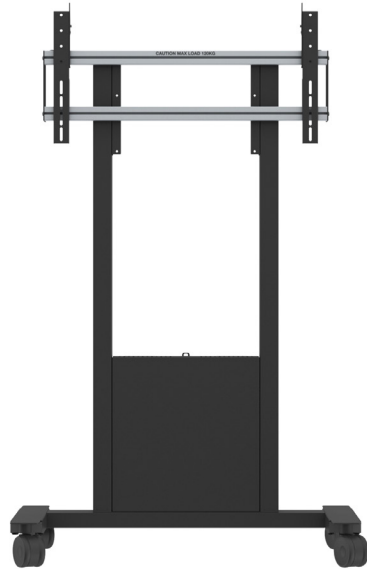


FUNC MOBILE



Simplicity on wheels.

Func Mobile is a stable and robust floor stand, easy and quick to install. This is the perfect solution for large and heavy displays, and touch displays. Thanks to the lockable wheels, it is easy to move the unit between rooms.

The design includes a practical storage box, for e.g. mini-PC, laptop or codec, easily accessed from the front. The storage box can be locked with a padlock (not supplied).



INFO

FINISH: Black or White

MAXIMUM LOAD: 120 kg

MINIMUM VESA: 200 x 100

MAXIMUM VESA: 800 x 400

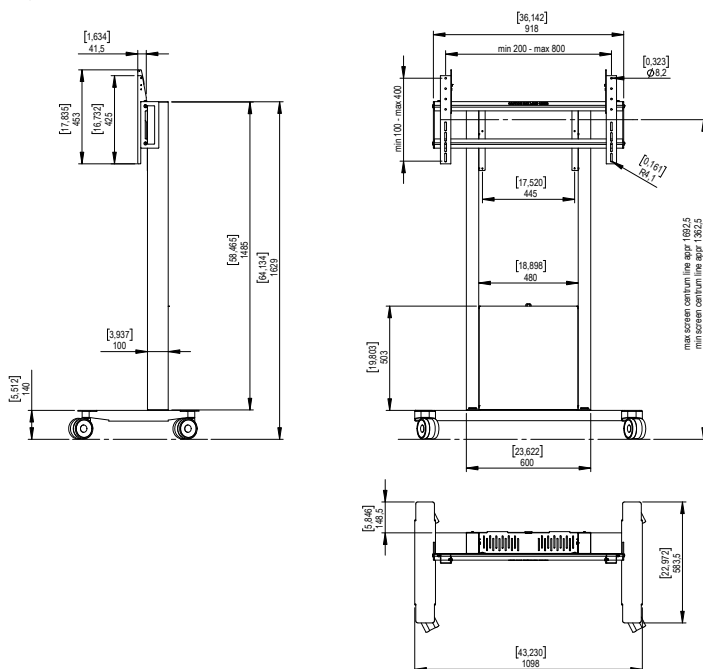
SECURITY: The display can be secured with screws (included) or a padlock (not included) to increase personal safety.

STORAGE BOX DIMENSIONS [MM]:
496 x 472 x 96

WARRANTY: 5 years.

TECHNICAL DRAWING (INCH/MM)

FMN031001, FMN031002 / FUNC MOBILE



ARTICLE NUMBERS

FMN031001 Func Mobile Black
FMN031002 Func Mobile White