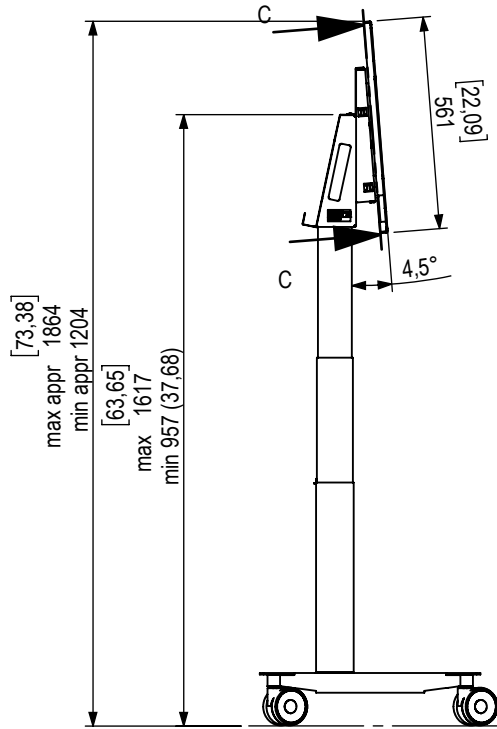
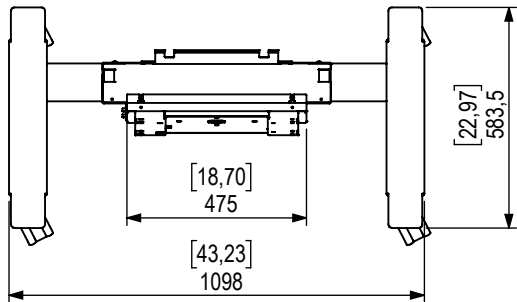
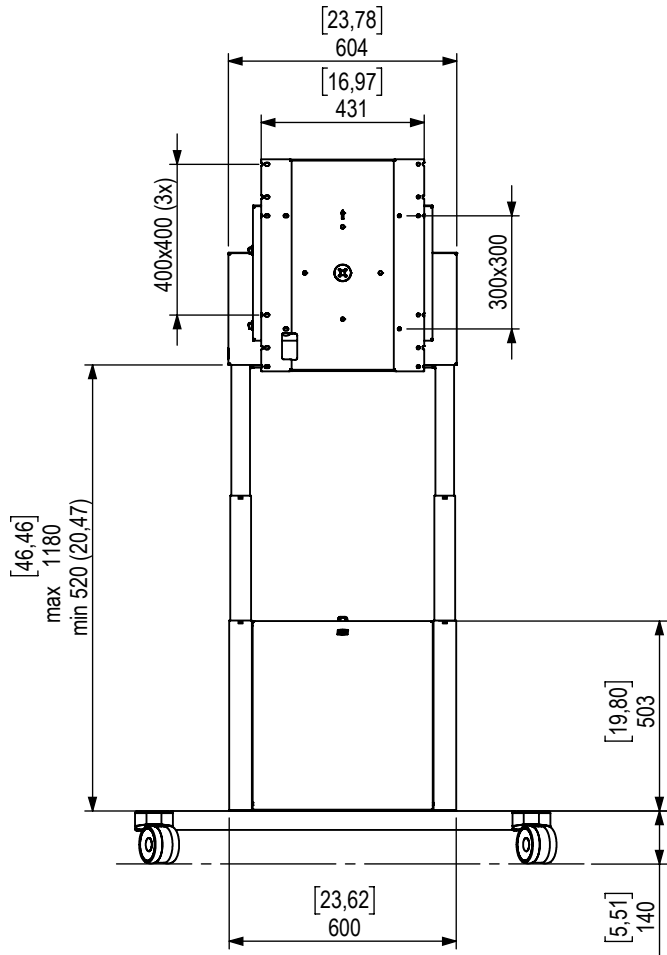


Technical drawing (mm/inch)
 230-004-42 Func Mob Motor Flipster 2 EU dimensions



SECTION C-C
 SCALE 1 : 8

