



RFR SERIES

REFERENCE MOBILE FURNITURE RACK

Uniquely styled furniture rack system that is optimized for easy integration and is ruggedly designed for years of trouble free room-to-room mobility

FEATURES

- Engineered for professional integration to ensure efficient installation
- Wide-body design allows for handy interior device mounting and cable management using optional tool-free LeverLock™ system
- Robust construction features bolt-through floor-friendly casters and internal steel bracing for years of reliable use
- Unique cable entry rear door and included cable spools allow easy storage of connecting cable bundle
- Advanced cooling for system reliability
- Optimized for passive ventilation featuring generous front air intake & rear exhaust vents
- Enable energy-saving active cooling with optional thermostatically-controlled DC blower panel. Quiet and powerful: 50 CFM, 27 dB
- Superior aesthetics complement any public space
- Architectural design incorporates a highly aesthetic and durable new finish, available in three finishes
- Attractive IR-friendly locking glass front door standard
- Available in 16, 20, and 24 rackspace sizes in 3 attractive colors: Black Cascade, Cherry Cascade, and Teak Cascade
- UL Listed (structural and tip) for support of audio/video equipment
- Ships fully assembled



SPECIFICATIONS

EIA compliant 19" mobile furniture equipment rack shall be Middle Atlantic Products model #RFR-__28__(see chart for available models). Overall dimensions of RFR shall be __"H x 27.3"W x 27.55"D (refer to chart). Useable height of RFR shall be __rackspace, useable depth shall be 23.31". RFR shall come equipped with one pair of adjustable steel rackrail with tapped 10-32 mounting holes in universal EIA spacing, black e-coat finish and numbered rackspace. RFR shall have bolt through 4" height casters. RFR shall have 4 casters total, with locking front casters. RFR shall have internal steel bracing. RFR shall be constructed of melamine and have a __ finish (refer to chart). RFR shall have an undersized top. RFR shall include a locking and latching IR friendly tempered glass front door. RFR shall include a locking and latching melamine rear door. RFR shall have rear venting, cable entry and cable spools. RFR shall have a 60 MM (2.375 in.) cable grommet on top, that accepts a monitor mount. RFR shall accept patent-pending LeverLock™ tool free and hardware free internal cable and device management system accessories. RFR shall provide a UL Listed load capacity of 350 lbs. mounted in the rack, 50 lbs. on top of the rack and 35 lbs. on the optional monitor mount. RFR shall be UL Listed in the US and Canada. RFR shall be manufactured by an ISO 9001 and ISO 14001 registered company. RFR enclosure shall be warrantied to be free from defects in material or workmanship under normal use and conditions 7 years.

OPTIONS

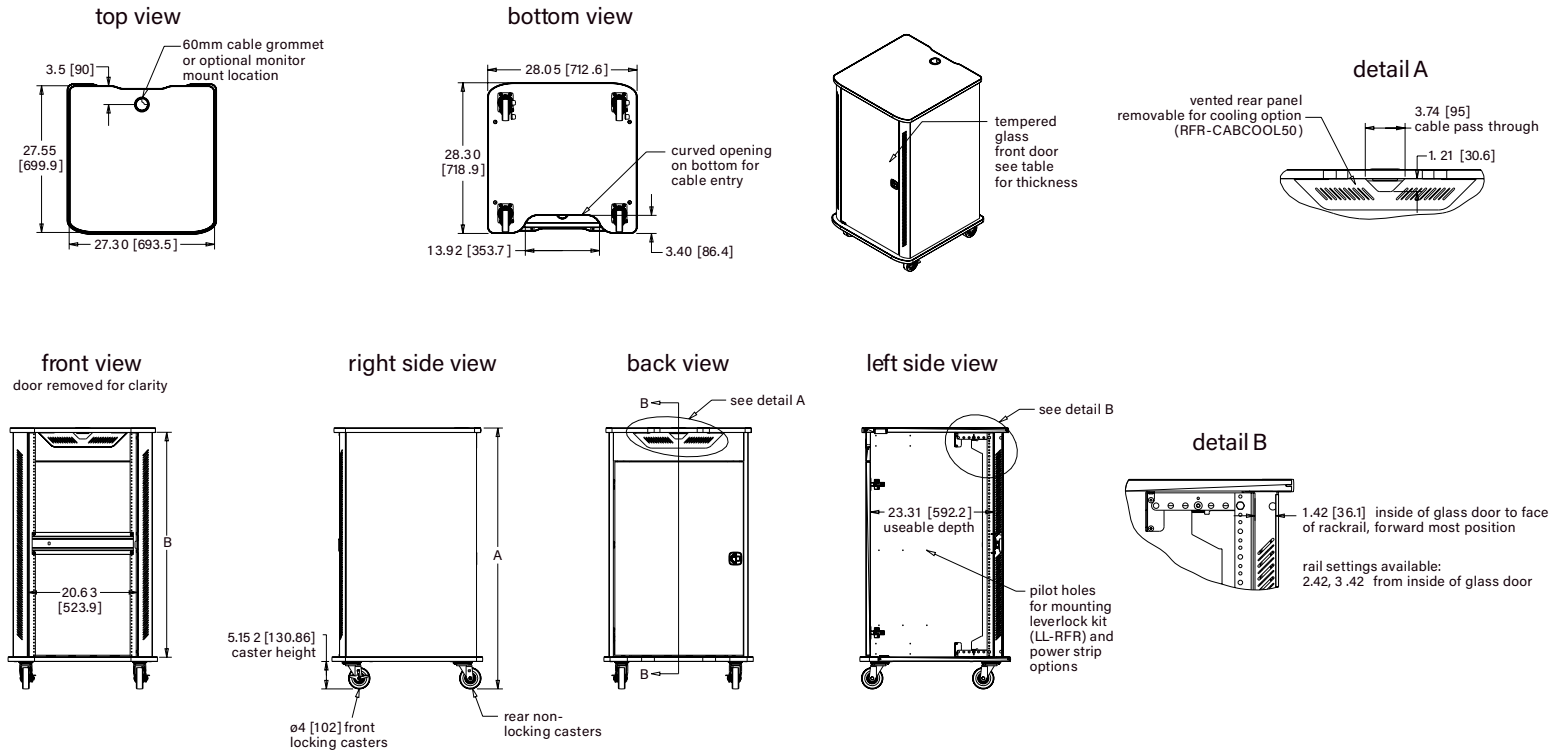
- Rear Rackrail Kits shall be model # RFR-ERRK- __ (16, 20, 24), # equals rackspace, which must match number of rackspace in rack.
- LeverLock™ mounts shall be model number LL-RFR
- Rear blower kit shall be model # RFR-CABCOOL50 and provide 50 CFM of cooling with 27 dB of noise





RFR SERIES

BASIC DIMENSIONS



Part #	A Overall Height	B Inside Height	Rackspaces	Glass Thickness
RFR-1628-XX	34.95 [888]	28.25 [718]	16 space	1/8"
RFR-2028-XX	41.95 [1065]	35.25 [895]	20 space	1/8"
RFR-2428-XX	48.95 [1243]	42.25 [1073]	24 space	3/16"

Notes:

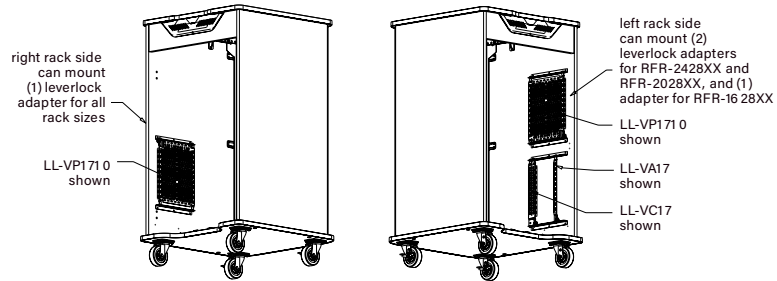
- Part number structure, where "XX" equals one of the following:
 BR = Black Cascade
 TR = Teak Cascade
 CR = Cherry Cascade
- Rack top, bottom, sides and rear access panel constructed from 3/4" melamine

all dimensions in inches unless otherwise noted [all dimensions in brackets are in millimeters]

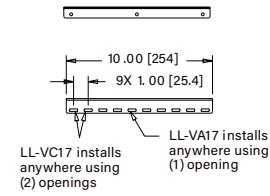
RFR SERIES

BASIC DIMENSIONS

LL-RFR LeverLock™ Brackets

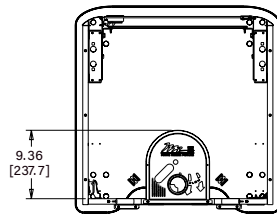


LeverLock™ bracket



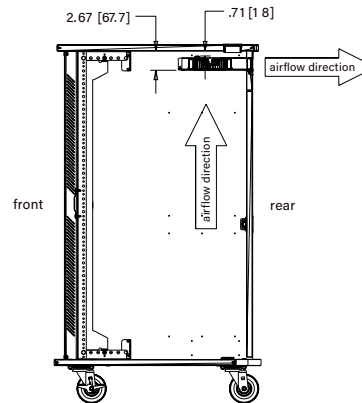
- Notes:
1. Pilot holes on rack sides accommodate the following LeverLock™ products: LL-VP1710 / LL-VA17 / LL-VC17
 2. LeverLock™ products shown not included
 3. Rear door removed for clarity

top view

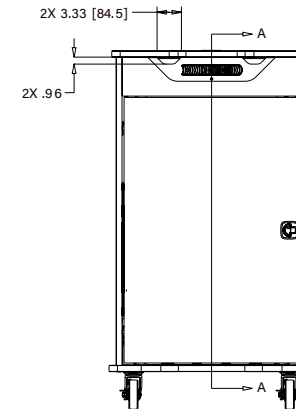


RFR-CABCOOL50

right side



back view



- Notes:
1. Fan Specifications:
 airflow: 50 CFM [1.4 M3/MIN]
 current draw: 550mA @12 VDC
 sound level: 29dBA @ 1 M
 static pressure: .031 IN H2O [77.22Pa]
 turn on: 87° F [30.5° C]
 turn off: 85° F [29.4° C]
 2. RFR-CABCOOL50 shown. International model, IRFR-CABCOOL50, comes with a universal voltage plug-in power supply and adapters.
 3. Top removed for clarity

all dimensions in inches unless otherwise noted [all dimensions in brackets are in millimeters]



LEGRAND | AV COMMERCIAL BRANDS

C2G | Chief | Da-Lite | Luxul | Middle Atlantic | Vaddio | Wiremold

WHAT GREAT SYSTEMS ARE BUILT ON™ | legrandav.com

USA 800.266.7225 av.middleatlantic.support@legrand.com CANADA 888.766.9770 av.middleatlantic.support@legrand.com

©2021 Legrand AV Inc.96-01174 Rev F 1/21 Middle Atlantic is a registered trademark of Legrand AV Inc. All other brand names or marks are used for identification purposes and are trademarks of their respective owners. All patents are protected under existing designations. Other patents pending.