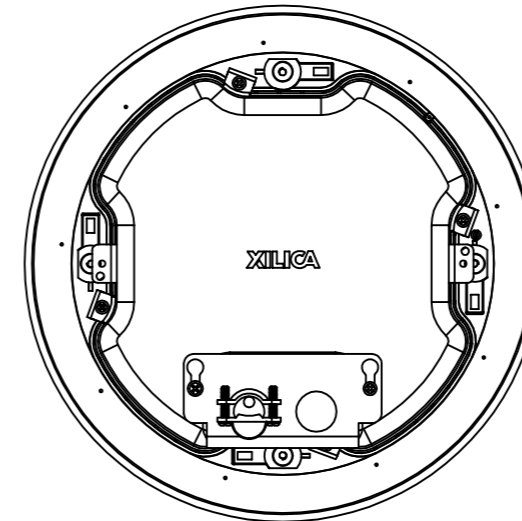
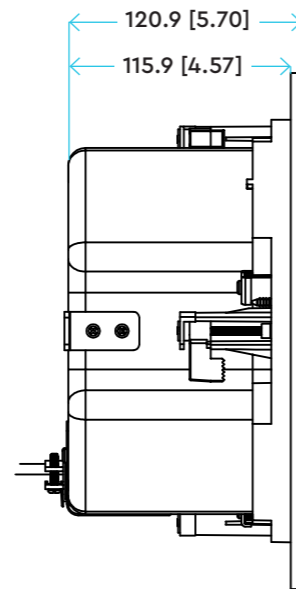
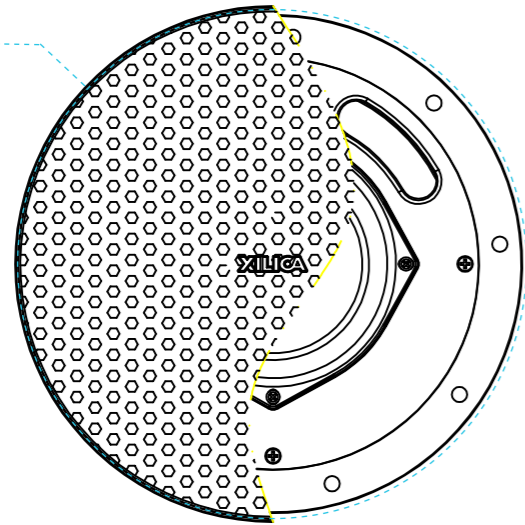


Ø 268.7 [10.58]



XILICA®

SERIES **SONIA**
 PRODUCT **SONIA C5**
 PART # **2200-007-0102**
 TYPE **CATX SPEAKER**

NOTES **SPECIFICATIONS SUBJECT TO CHANGE**
 NET WEIGHT APPROX. 4 KG [8.8 LBS]
 DIMENSIONS ARE IN MILLIMETERS (INCHES)

This document contains proprietary information which is the property of Xilica, and may not be disclosed, reproduced or used without its expressed written consent. Copyright 2021, Xilica Corporation.

CONTACT **XILICA CORPORATION**
100 UNIVERSITY AVENUE
TORONTO, M5J 1V6, ONTARIO, CANADA