



VGA KVM over IP

EXT-VGAKVM-LANTX
EXT-VGAKVM-LANRX

User Manual



Release A8

Important Safety Instructions

1. Read these instructions.
2. Keep these instructions.
3. Heed all warnings.
4. Follow all instructions.
5. Do not use this product near water.
6. Clean only with a dry cloth.
7. Do not block any ventilation openings. Install in accordance with the manufacturer's instructions.
8. Do not install or place this product near any heat sources such as radiators, heat registers, stoves, or other apparatus (including amplifiers) that produce heat.
9. Do not defeat the safety purpose of the polarized or grounding-type plug. A polarized plug has two blades with one wider than the other. A grounding type plug has two blades and a third grounding prong. The wide blade or the third prong are provided for your safety. If the provided plug does not fit into your outlet, consult an electrician for replacement of the obsolete outlet.
10. Protect the power cord from being walked on or pinched particularly at plugs, convenience receptacles, and the point where they exit from the apparatus.
11. Only use attachments/accessories specified by the manufacturer.
12. To reduce the risk of electric shock and/or damage to this product, never handle or touch this unit or power cord if your hands are wet or damp. Do not expose this product to rain or moisture.
13. Unplug this apparatus during lightning storms or when unused for long periods of time.
14. Refer all servicing to qualified service personnel. Servicing is required when the apparatus has been damaged in any way, such as power-supply cord or plug is damaged, liquid has been spilled or objects have fallen into the apparatus, the apparatus has been exposed to rain or moisture, does not operate normally, or has been dropped.
15. Batteries that may be included with this product and/or accessories should never be exposed to open flame or excessive heat. Always dispose of used batteries according to the instructions.

Warranty Information

Gefen warrants the equipment it manufactures to be free from defects in material and workmanship.

If equipment fails because of such defects and Gefen is notified within two (2) years from the date of shipment, Gefen will, at its option, repair or replace the equipment, provided that the equipment has not been subjected to mechanical, electrical, or other abuse or modifications. Equipment that fails under conditions other than those covered will be repaired at the current price of parts and labor in effect at the time of repair. Such repairs are warranted for ninety (90) days from the day of reshipment to the Buyer.

This warranty is in lieu of all other warranties expressed or implied, including without limitation, any implied warranty or merchantability or fitness for any particular purpose, all of which are expressly disclaimed.

1. Proof of sale may be required in order to claim warranty.
2. Customers outside the US are responsible for shipping charges to and from Gefen.
3. Copper cables are limited to a 30 day warranty and cables must be in their original condition.

The information in this manual has been carefully checked and is believed to be accurate. However, Gefen assumes no responsibility for any inaccuracies that may be contained in this manual. In no event will Gefen be liable for direct, indirect, special, incidental, or consequential damages resulting from any defect or omission in this manual, even if advised of the possibility of such damages. The technical information contained herein regarding the features and specifications is subject to change without notice.

For the latest warranty coverage information, refer to the Warranty and Return Policy under the Support section of the Gefen Web site at www.gefen.com.

This product uses software that is subject to open source licenses, including one or more of the General Public License Version 2 and Version 2.1, Lesser General Public License Version 2.1 and Version 3, BSD, and BSD-style licenses. Distribution and use of this product is subject to the license terms and limitations of liability provided in those licenses. Specific license terms and Copyright Notifications are provided in the source code.

For three years from date of activation of this product, any party may request, and we will supply, for software covered by an applicable license (e.g. GPL or LGPL), a complete machine-readable copy of the corresponding open source code on a medium customarily used for software interchange. The following software and libraries are included with this product and subject to their respective open source licenses:

- jQuery
- Linux

Technical Support

(818) 772-9100 (800) 545-6900
8:00 AM to 5:00 PM Monday - Friday, Pacific Time

Fax

(818) 772-9120

Email

support@gefen.com

Web

<http://www.gefen.com>

Mailing Address

Gefen, LLC
c/o Customer Service
20600 Nordhoff St.
Chatsworth, CA 91311

Product Registration

Register your product here: <http://www.gefen.com/kvm/Registry/Registration.jsp>

- The [Gefen Syner-G Software Suite](#) is a free downloadable application from Gefen that provides network configuration assistance and automatic download and installation firmware upgrades for this product. Always make sure that the VGA KVM over IP is running the latest firmware.
- The VGA KVM over IP is compatible with the HD KVM over IP, DVI KVM over IP, DVI KVM over IP w/ Local DVI Output, and the HD over IP w/ RS-232 and 2-way IR which allows these products to be connected within a single system.
- Gefen highly recommends the use of the Syner-G software and Matrix Controller (Gefen part no. EXT-CU-LAN) for setting up and controlling the operation of a Video-over-IP network using these products.
- Shielded CAT-5e (or better) cables should not exceed 330 feet (100 meters) between the Sender / Receiver unit and the network.
- By default, all Sender and Receiver units are set to channel 0.
- By default, the source device will use the EDID from the display (or other sink device) which is connected the Receiver unit. See [EDID Management \(page 47\)](#) for more information.
- If terminating network cables in the field, please adhere to the TIA/EIA568B specification. See the [Network Cable Diagram \(page 148\)](#) for details.



Important

The use of a Gigabit switch with higher than 8K "jumbo frame" capability is required when connecting the VGA KVM over IP to a network.

VGA KVM over IP is a trademark of Gefen, LLC.

© 2015 Gefen, LLC. All Rights Reserved. All trademarks are the property of their respective owners.

Gefen, LLC reserves the right to make changes in the hardware, packaging, and any accompanying documentation without prior written notice.



This product uses UL listed or CE-compliant power supplies.

Features

- Extends VGA, USB, RS-232, bi-directional stereo analog audio, and IR over IP, using a Gigabit Local Area Network
- Any combination of HDMI, DVI, and VGA Senders and Receivers can be used
- Supports resolutions up to 1920 x 1200 (WUXGA)
- Built-in Web interface for each Sender and Receiver unit provides intuitive control of all features
- Any of the Senders within a network can be accessed by any Receiver unit via a web browser on a mobile device or computer, or by using the Gefen Keyboard Switching Controller software (available for download at www.gefen.com)
- Supports a total of just over 65,000 Sender and Receiver units, depending on the network bandwidth and number of ports on your network switch
- USB 2.0 data rates up to 480 Mbps and backward-compatibility with USB 1.1
- Three-port Gigabit Ethernet switch built into the Receiver unit
- Switch between all available Sender units using the built-in Web interface
- Mode button on Sender for sharpness or motion optimization of image
- Field-upgradable firmware via web server interface
- Locking power supply connectors
- 1U tall, half-rack width enclosures are rack-mountable using EXT-RACK-1U
- Surface mounting brackets included

Packing List

The VGA KVM over IP ships with the items listed below. The packing contents of the Sender and Receiver unit are listed below. If any of these items are not present in the box when you first open it, immediately contact your dealer or Gefen.

EXT-VGAKVM-LANTX

- 1 x VGA KVM over IP (Sender unit)
- 1 x 6 ft. VGA cable (M-M)
- 1 x 6 ft. USB cable (A-B)
- 1 x 6 ft. DB-9 cable (M-F)
- 2 x Mounting brackets with screws
- 1 x 5V DC power supply
- 1 x Quick-Start Guide

EXT-VGAKVM-LANRX

- 1 x VGA KVM over IP (Receiver unit)
- 2 x Mounting brackets with screws
- 1 x 5V DC power supply
- 1 x Quick-Start Guide

1 Getting Started

Introduction.....	2
Sender Unit	2
Receiver Unit.....	4
Installation & Configuration	6
Local Area Network (LAN) Connection	6
Using a Direct Connection	12
Supplementary Connections.....	14
Sample Wiring Diagram	15

2 Basic Operation

Setting the Video Channel.....	18
Setting the Channel using the Web Interface.....	18
Setting the Channel using the Front Panel	19
Masking Video.....	22
Enabling or Disabling Video over IP.....	22
Unicast & Multicast Modes	23
Configuring Unicast Mode	23
Switching between Sender units in Unicast mode	25
Configuring Multicast Mode.....	28
Discovery Mode.....	30
Gefen Syner-G Discovery	30
Finding Your Device	31
MTU Size.....	33
Using RS-232	35
RS-232 under Unicast Mode.....	38
RS-232 under Multicast Mode.....	38
USB Control	39
USB under Unicast Mode.....	39
USB under Multicast Mode	41
Active per request mode	44
Active on link mode	45
EDID Management.....	47
Using the Internal EDID	47
Using the Downstream EDID	48
Audio Connections	49
Setting the Video Mode.....	52
Using the Web interface.....	52
Using the Front Panel	53
Changing the Password	54
Performing a Factory Reset	55
Reset using the Web Interface.....	55
Reset using the Front Panel.....	57

Rebooting a Unit.....	58
Reboot using the Web Interface.....	58
Reboot using the Front Panel	59

3 Advanced Operation

Telnet Access	62
Commands.....	63

4 Appendix

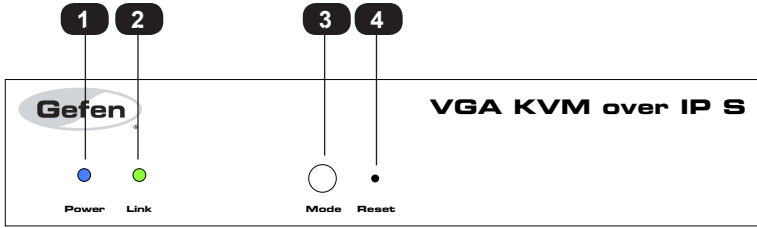
Default Settings.....	144
Upgrading the Firmware.....	146
Network Cable Diagram	148
Rack Tray Installation.....	149
Specifications	150
Index.....	151

VGA KVM over IP

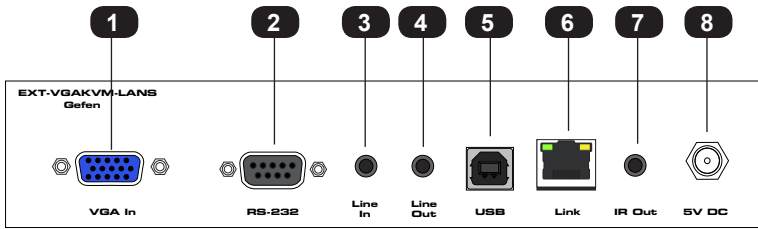
1

Getting Started

Sender Unit

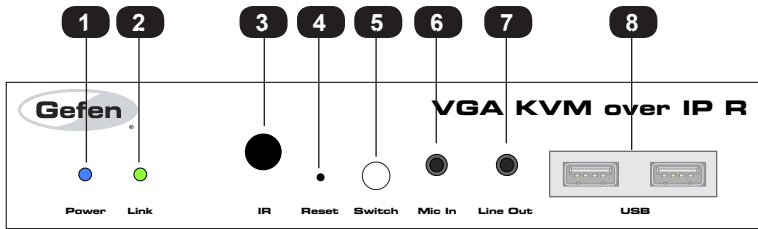


ID	Name	Description
1	Power	This LED glows solid blue when the unit is connected to an AC outlet and the unit is powered ON.
2	Link	This LED glows solid green when the Sender unit and Receiver unit are connected and passing video.
3	Mode	Press this button to switch between the Video Mode. See Setting the Video Mode (page 52) for more information.
4	Reset	Press this button to reset the unit to factory-default settings. See Performing a Factory Reset (page 55) for more information.

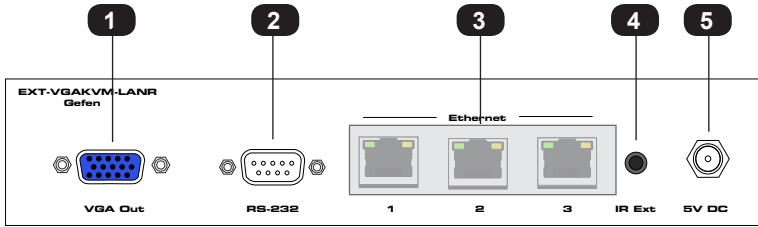


ID	Name	Description
1	VGA In	Connect the included VGA cable from this connector to the VGA source.
2	RS-232	Connect the included RS-232 cable from this port to an RS-232 device. See Using RS-232 (page 35) for more information.
3	Line In	Connect a 3.5mm mini-stereo cable from the Line Out jack on the multimedia PC to this jack.
4	Line Out	Connect a 3.5mm mini-stereo cable from this jack to the Line In jack of a multimedia PC.
5	USB	Connect the included USB cable from the computer to this USB port.
6	Link	Connects the Sender unit to the network (or directly to the Receiver unit) using shielded CAT-5e (or better) cable.
7	IR Out	Connect an IR Emitter (Gefen part no. EXT-IREMIT) from this jack to the VGA source to control the source from the viewing location.
8	5V DC	Connect the included 5V DC locking power supply to this power receptacle.

Receiver Unit



ID	Name	Description
1	Power	This LED glows solid blue when the unit is connected to an AC outlet and the unit is powered ON.
2	Link	This LED glows solid green when the Sender and Receiver units are connected using a shielded CAT-5e (or better) cable and successfully passing video.
3	IR	This IR sensor receives signals from IR remote control of the source device.
4	Reset	Press this button to reset the unit to factory-default settings. See Performing a Factory Reset (page 55) for more information.
5	Switch	Switches the video channel when using multiple Receiver units on a network. See Setting the Video Channel (page 18) for more information.
6	Mic In	Connect a microphone to this jack. If the microphone has a 1/4" jack, use a 1/4"-to-3.5mm adapter to connect the microphone to the Receiver unit.
7	Line Out	Connect a 3.5mm mini-stereo cable from this jack to a pair of powered speakers. See Audio Connections (page 49) for more information.
8	USB	Connect up to two USB devices to these USB ports.



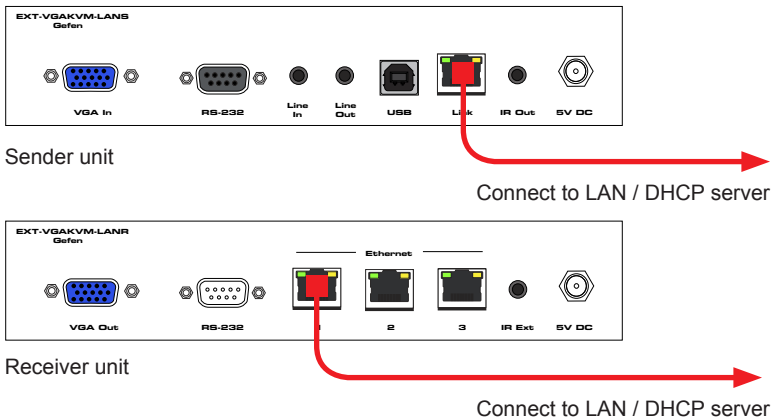
ID	Name	Description
1	VGA Out	Connect a VGA cable from this connector to the VGA display.
2	RS-232	Connect an RS-232 cable from this port to an RS-232 device. See Using RS-232 (page 35) for more information.
3	Ethernet (1, 2, 3)	Connects the Receiver unit to the network (or directly to the Sender unit) using shielded CAT-5e (or better) cable. See the next page for installation instructions.
4	IR Ext	Connect an IR Extender (Gefen part no. EXT-RMT-EXTIRN) to this port.
5	5V DC	Connect the included 5V DC locking power supply to this power receptacle.

The VGA KVM over IP Sender and Receiver units can be connected over a Local Area Network (LAN) or they can be directly connected to one another. We will cover both installations.

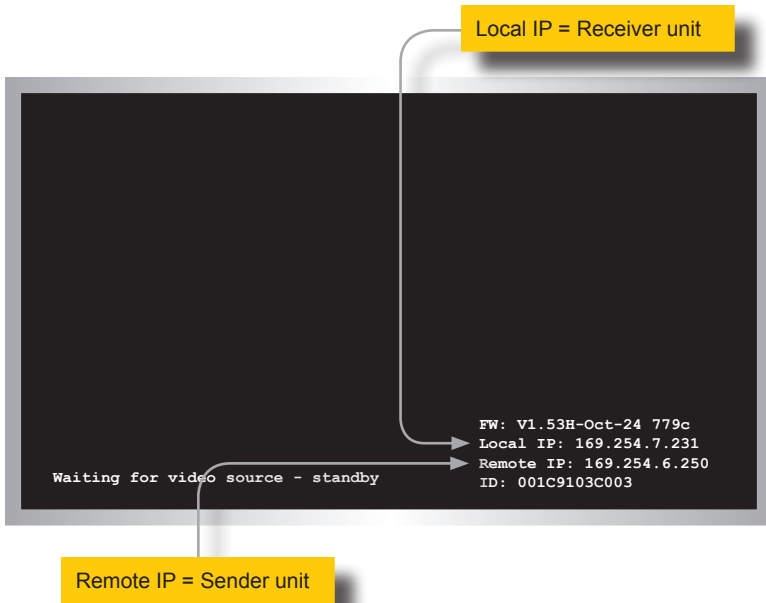
Local Area Network (LAN) Connection

In order to connect the VGA KVM over IP to a Local Area Network (LAN), both the Sender and Receiver unit must first be set to *DHCP* mode or *Static* IP mode. *DHCP* mode will use the DHCP server to automatically assign an IP address for each Sender and Receiver unit that is connected to the network. *Static* IP mode will allow the IP address for each Sender and Receiver unit to be configured manually. Contact your network administrator if necessary.

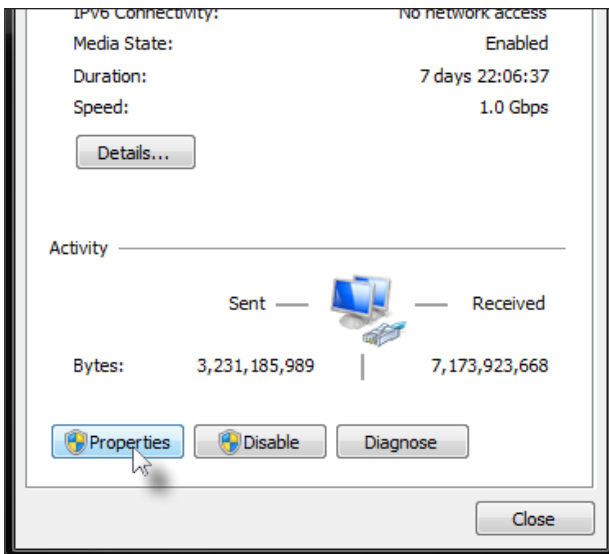
1. Use the included VGA cable to connect the VGA source to the **VGA In** port on the Sender unit.
2. Connect a VGA cable from the VGA display to the **VGA Out** port on the Receiver unit.
3. Connect a shielded CAT-5e (or better) cable from the **Link** port on the Sender unit to the network.
4. Connect a shielded CAT-5e (or better) cable from one of the **Ethernet** ports on the Receiver unit to the network.
5. Connect the included 5V DC locking power supplies to both the Sender unit and Receiver unit. Do not overtighten the locking connectors. Connect the included AC power cords from the power supplies to available electrical outlets.



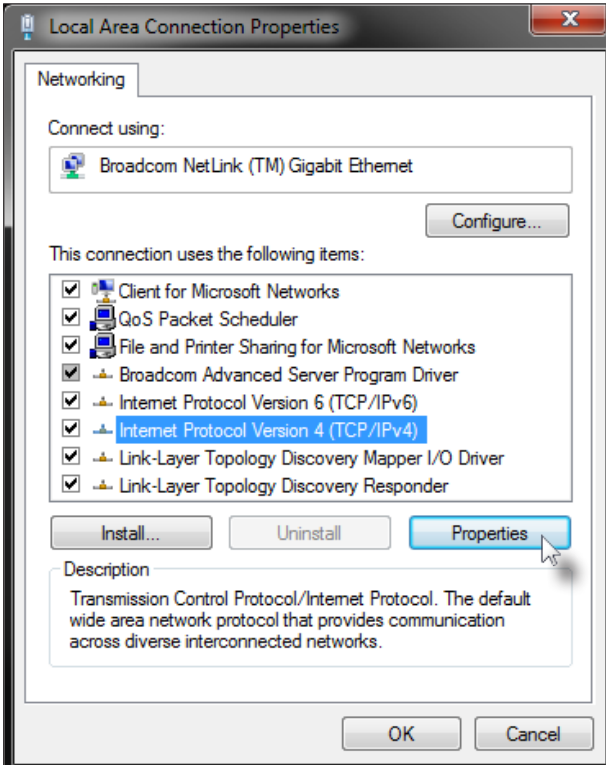
6. Obtain the IP address of both the Sender and Receiver unit by disconnecting the HDMI cable from the Sender unit (or from the source device). Information, similar to the illustration on the next page, will be displayed.



6. Access the Network Setting control panel in Windows and locate your LAN connection. Under Windows 7, this can be done by clicking *Start > Control Panel > Network Sharing Center > Change Adapter Settings*.



- Click on the Properties button, near the bottom of the dialog box, to display the Local Area Connection Properties dialog.
- Click on Internet Protocol Version 4 (TCP/IPv4) to highlight the option.



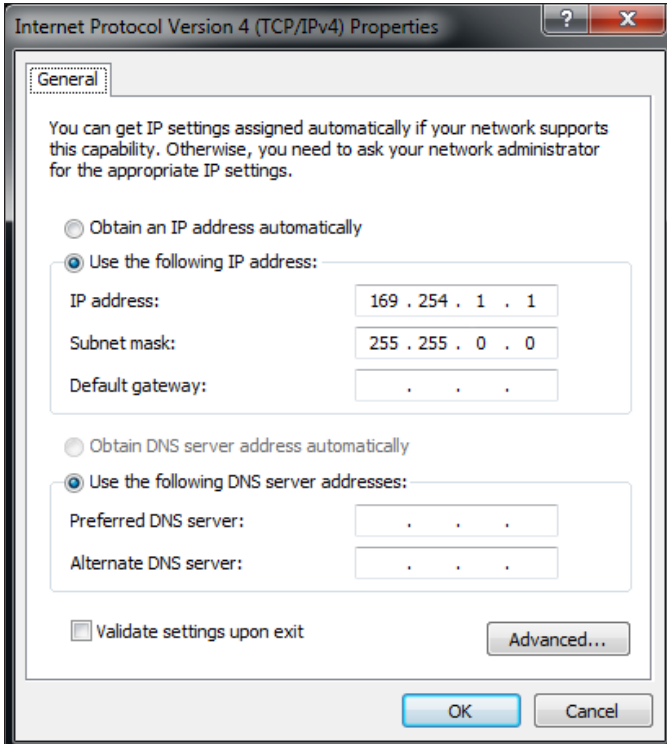
- Click the Properties button to display the Internet Protocol Version 4 (TCP/IPv4) Properties dialog.



Stop

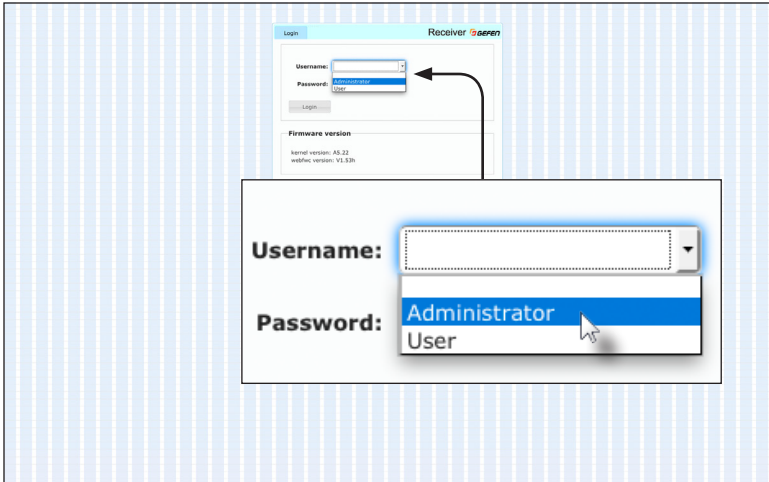
Write down the current IP settings before making changes, since you will need to restore the old settings later. If the Properties are set to "Obtain an IP address automatically" and "Obtain DNS server address automatically", you do not need the actual address settings.

- Change the settings, as shown below.



- Click the **OK** button, then close all Control Panel windows.
- Open your Web browser and enter the IP address of the desired Sender or Receiver unit. In our example, we would enter 169.254.7.231 in order to access the Web interface of the Receiver unit.

13. The **Login** screen will be displayed.
14. In order to change network settings, you must login as “Administrator”. Select the “Administrator” username from the drop-down list.



15. Type the password in the **Password** field. The default password for “Administrator” is `admin`. The password is case-sensitive and will be masked as it is entered.

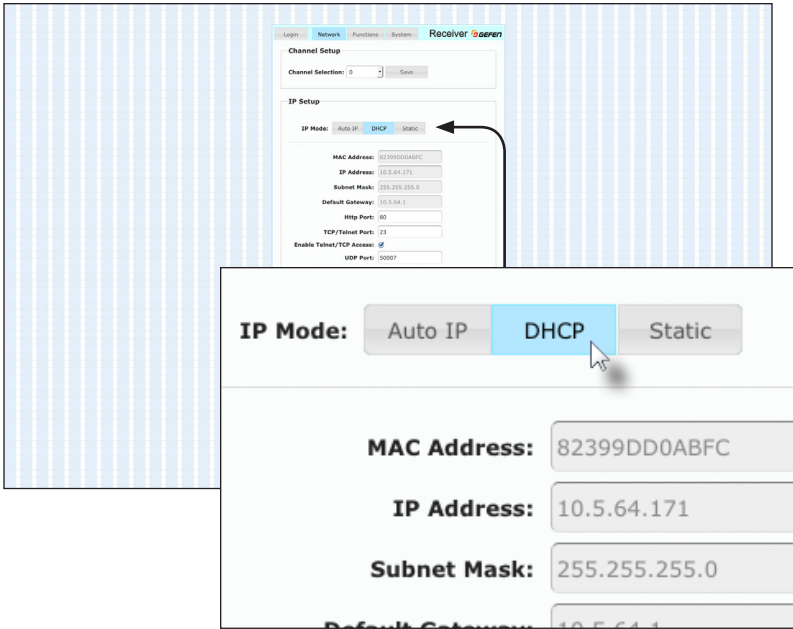


Information

Passwords and operating features can be changed when logged in as Administrator. The User option has limited access. To change password credentials, see [Changing the Password \(page 54\)](#) for more information.



16. Click the **Login** button.
17. Click the **Network** tab. The current IP Mode will be highlighted within the **IP Setup** window group.



18. Click the desired **IP Mode** button.

- If you will be using Static mode, then enter the IP Address, Subnet Mask, and Default Gateway. Contact your system administrator if necessary.
- If DHCP mode is selected, then the IP address, subnet mask, and default gateway will be specified by the DHCP server.

For this example, we will click the **DHCP** button.

19. Set the video channel. By default, both the Sender and Receiver unit are set to channel 0. See [Setting the Video Channel \(page 18\)](#) for more information.

20. Click the **Save** button in the bottom-right corner of the **IP Setup** window group.

21. Click the **Reboot** button near the bottom of the page.

22. Repeat steps 12 - 21 for each Sender and Receiver to be configured.



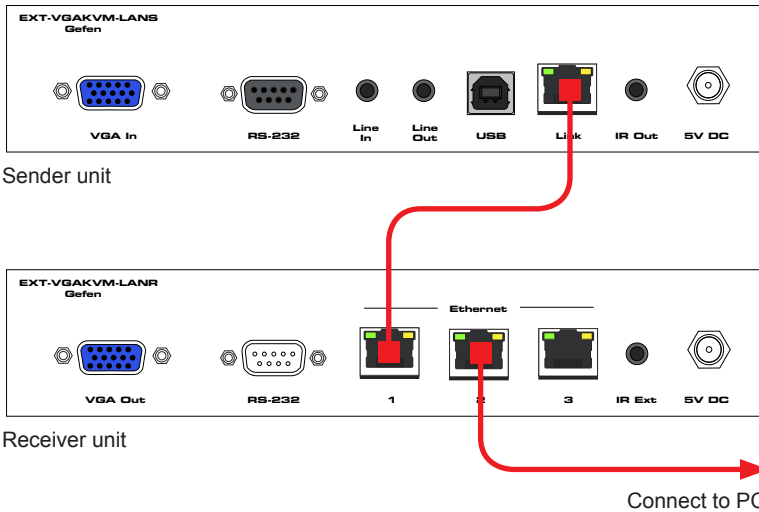
Important

The use of a Gigabit switch with "jumbo frame" capability is required when connecting the VGA KVM over IP to a network. The switch should be set to greater than 8K.

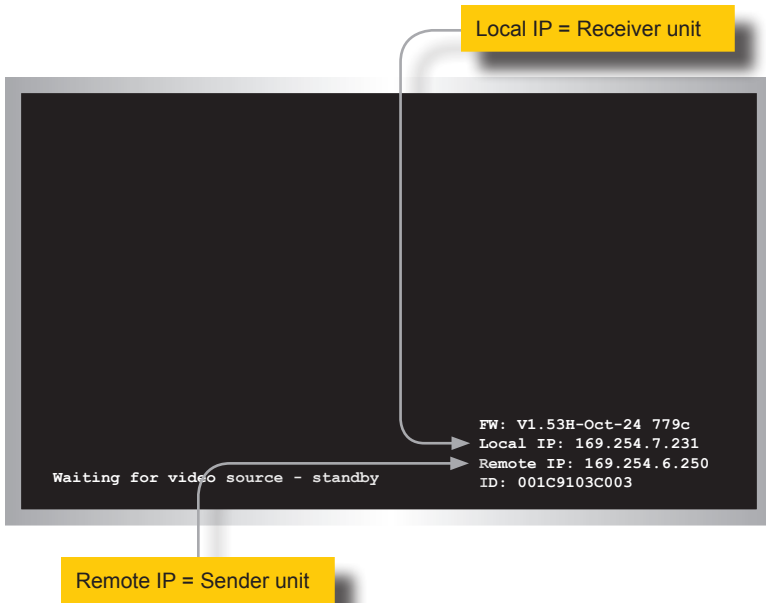
Using a Direct Connection

By default, the VGA KVM over IP is shipped in *Auto IP* mode. *Auto IP* mode is used for directly connecting Sender and Receiver units to one another. In *Auto IP* mode each Sender and Receiver unit assigns itself a unique IP address within the range of 169.254.x.x. To configure the units to work over a LAN, we must access the Web interface of the Sender and Receiver unit on a computer. Then, we can change the network settings.

1. Use the included VGA cable to connect the VGA source to the **VGA In** port on the Sender unit.
2. Connect a VGA cable from the VGA display to the **VGA Out** port on the Receiver unit.
3. Connect a shielded CAT-5e (or better) cable from the **LAN** port on the Sender unit to the **LAN 1** port on the Receiver unit.
4. Connect another shielded CAT-5e (or better) cable from one of the **Ethernet** ports on the Receiver unit to a PC.



5. Connect the included 5V DC locking power supplies to both the Sender unit and Receiver unit. Do not overtighten the locking connectors. Connect the included AC power cords from the power supplies to available electrical outlets.
6. Obtain the IP address of both the Sender and Receiver unit by disconnecting the VGA cable from the Sender unit (or from the source device). Information, similar to the illustration on the next page, will be displayed.



7. Make note of both IP addresses. These IP addresses can be entered in a Web browser to access the built-in Web interface.
8. See [Local Area Network \(LAN\) Connection \(page 6\)](#) and follow steps 6 - 20, in order to configure your PC to access the built-in Web interface.
9. Set the video channel. By default, both the Sender and Receiver unit are set to channel 0. See [Setting the Video Channel \(page 18\)](#) for more information.
10. Once both Sender and Receiver units are configured using the built-in Web interface, the shielded CAT-5e cable, between the PC and the Receiver unit, can be disconnected.
11. See [Supplementary Connections \(page 14\)](#) for instructions on connecting USB, IR, RS-232, and audio cables.

Supplementary Connections

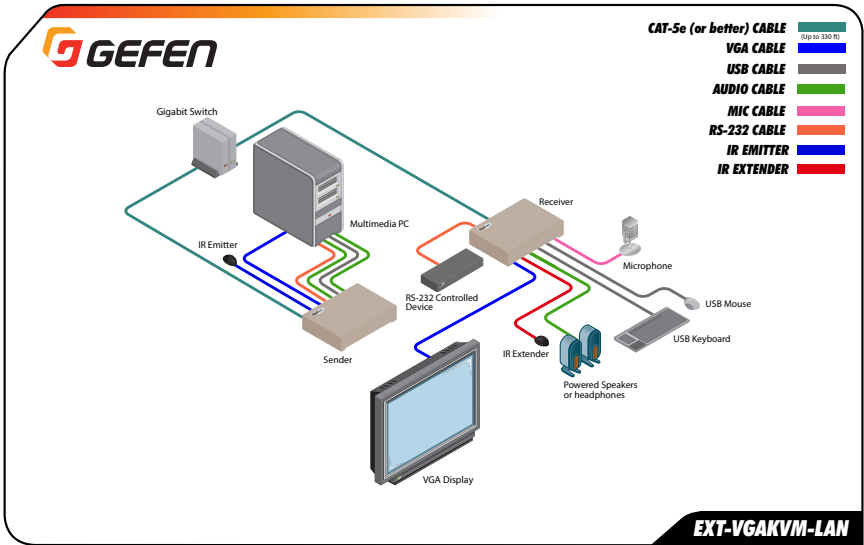
- ▶ **USB** (see [USB Control \(page 39\)](#) for more information on using USB devices)
 1. Connect the included USB cable from the computer to the **USB** port on the Sender unit.
 2. Connect a maximum of two USB devices to the Receiver unit.

- ▶ **IR**
 3. Connect an IR Emitter (Gefen part no. EXT-IREMIT) to the Sender unit and attach it to the IR sensor on the device to be controlled.
 4. Connect an IR Extender (Gefen part no. EXT-RMT-EXTIRN) to the Receiver unit if the IR sensor will not be within line-of-site for proper IR control.

- ▶ **Audio** (see [Audio Connections \(page 49\)](#) for more information on using audio devices)
 5. Connect a 3.5mm mini-stereo cable from the **Line In** jack on the Sender unit to an audio source.
 6. Connect a pair of powered speakers (or another audio output device) to the **Line Out** jack on the Receiver unit.
 7. Connect a microphone to the **Mic In** jack on the Receiver unit.
 8. Connect a pair of powered speakers (or another audio output device) to the **Line Out** jack on the Sender unit.

- ▶ **RS-232**
 9. Connect the included RS-232 cable from the PC or automation system to the **RS-232** port on the Sender unit.
 10. Connect an RS-232 cable from the Receiver unit to the RS-232 device to be controlled.

Sample Wiring Diagram



VGA KVM over IP

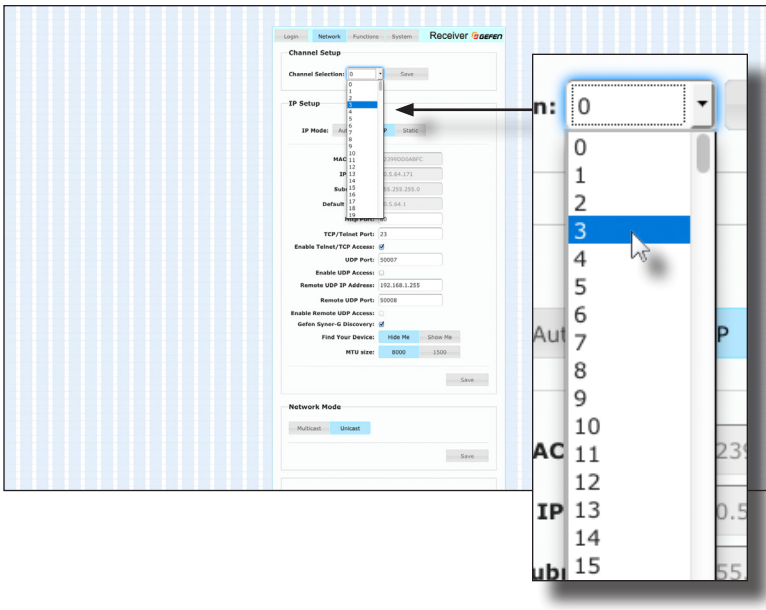
2

Basic Operation

In order a Sender and Receiver unit to communicate with one another, they must both be set to the same video channel. This is similar to changing the channel on a set-top box in order to view a different program. Pressing and releasing the **Switch** button on the front of the Receiver unit can also be used to change the video channel. We will cover both methods in this section. By default, all Sender and Receiver units are set to channel 0.

Setting the Channel using the Web Interface

1. Access the Web interface by entering the IP address of the desired Sender or Receiver unit.
2. Login as “Administrator” or “User”.
3. Click the **Network** tab. The current channel is displayed within the **Channel Setup** window group.
4. Click the **Channel Selection** drop-down list and select the desired channel. Channel numbers can range from 0 to 255.



5. Click the **Save** button on the right-hand side of **Channel Setup** window group.



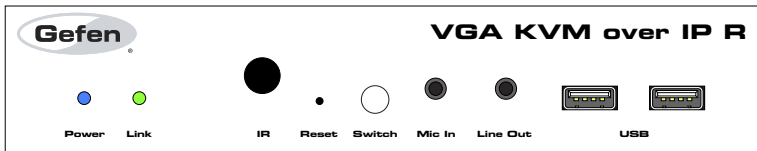
- The following message will be displayed, at the top of the page, indicating that the selected channel has been applied.

Success: Channel Selected.

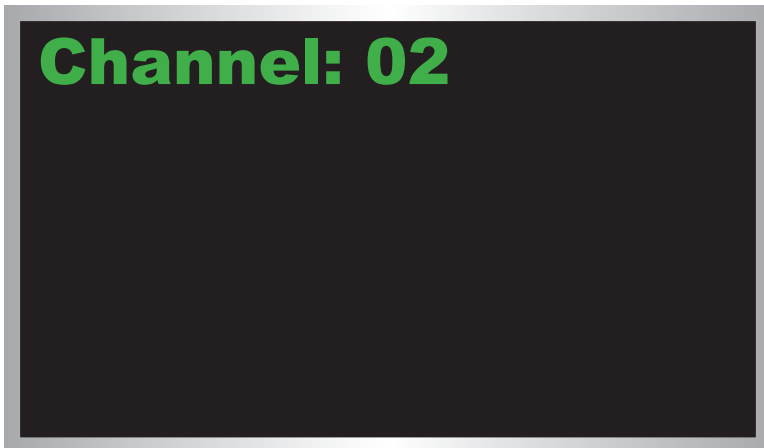
- Access the Web interface of the next unit (Sender or Receiver) by entering its IP address.
- Repeat steps 2 - 5 for each Sender and Receiver to be changed.

Setting the Channel using the Front Panel

- Press and release the **Switch** button on the front panel of the Receiver unit.

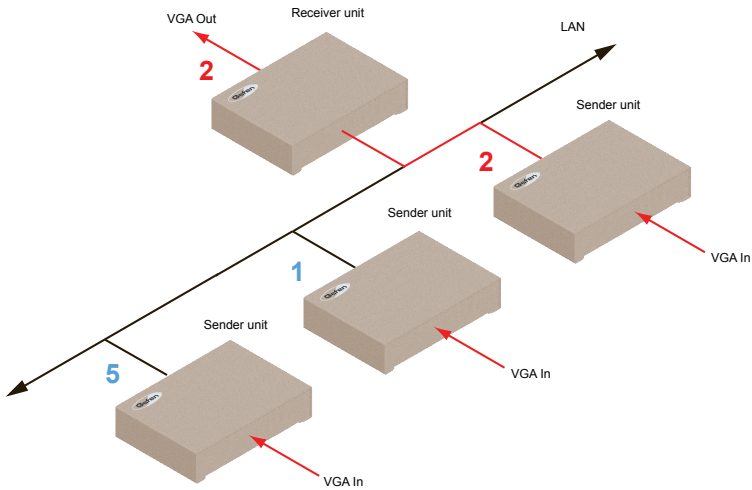


- The current video channel of the Receiver unit will be shown on the connected display.

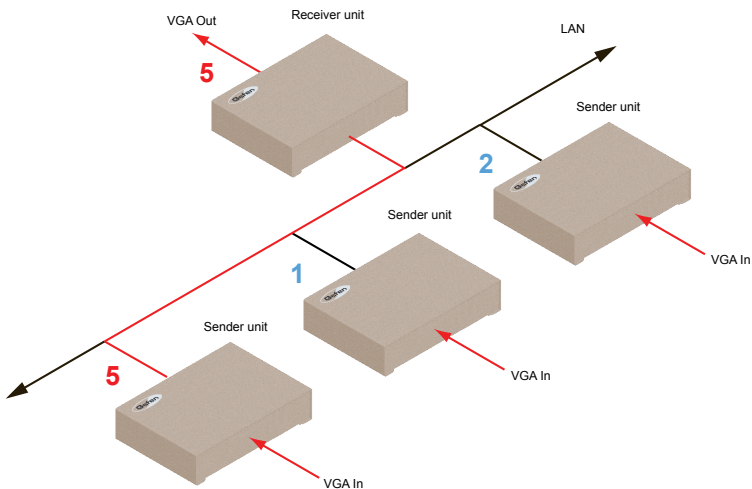


- While the current video channel is being displayed, press and release the **Switch** button on the Receiver unit. The Receiver unit will change to the next available video channel that is being used by a Sender unit.

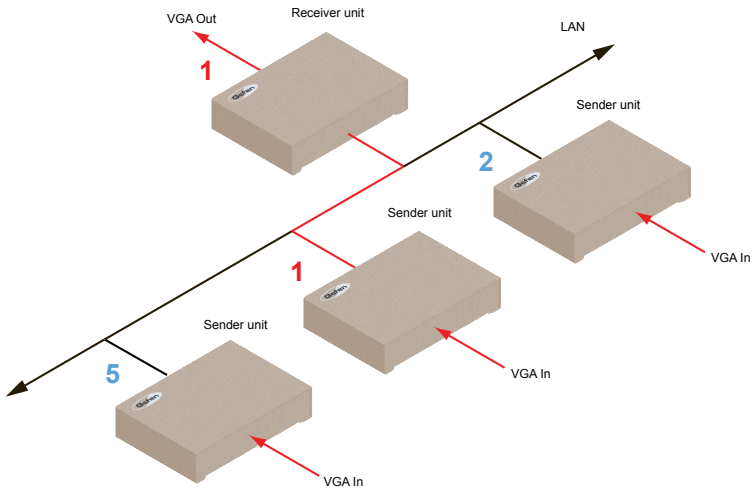
Let's look at an example: In the illustration below, we have one Receiver unit and three Sender units. The numbers indicate the video channel for each Sender and Receiver unit. Our Receiver unit is currently set to channel 2 and is receiving the signal from the Sender unit on channel 2.



If we press and release the **Switch** button, the Receiver unit will automatically jump to channel 5 because it is the next "larger" video channel number.



- Press the Switch button again to jump to the next available channel. In this case, channel 5 is the largest video channel number. Therefore, pressing the **Switch** button will return to video channel 1.

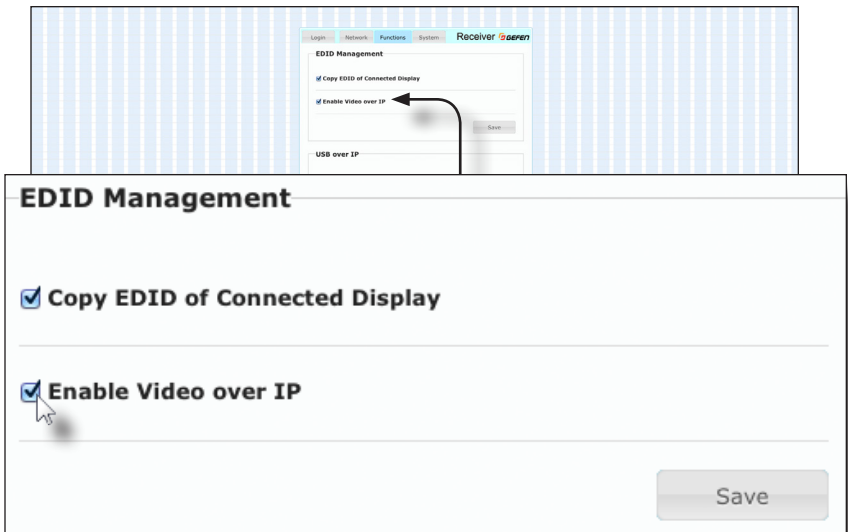


- To set the video channel on a Sender unit, use the Web interface. See [Setting the Channel using the Web Interface \(page 18\)](#) for more information.

Enabling or Disabling Video over IP

This feature is useful for masking video. Disabling the video on the Sender unit will mask the video on all connected Receiver units (*multicast mode* only). To mask the video on selected Receiver units, disable the video on the desired Receiver units.

1. Access the Web interface by entering the IP address of the a Receiver unit.
2. Login as “Administrator”.
3. Click the **Functions** tab.
4. Under the **EDID Management** window group, check the **Enable Video over IP** box to enable video. Uncheck this box to disable video.



5. Click the **Save** button within the **EDID Management** group.
6. Click the **Reboot** button at the bottom of the page.
7. Repeat steps 1 through 5 for each Sender and/or Receiver unit in the system.

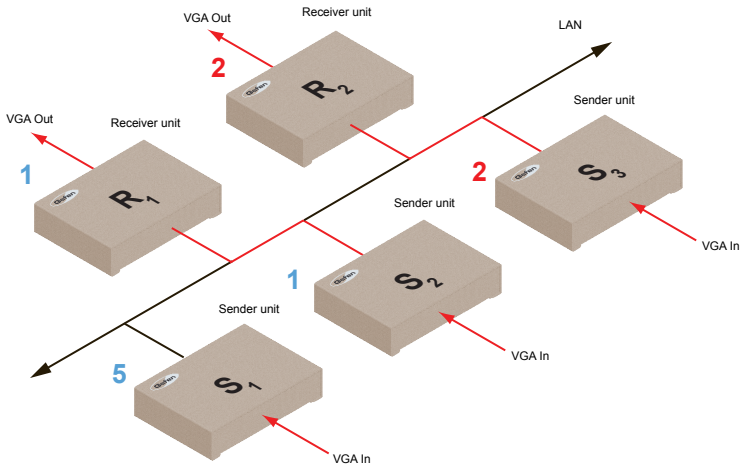
Configuring Unicast Mode

The term *unicast* is used to describe a configuration where information is sent from one point to another point. It is possible to have multiple Sender and Receiver units connected in a system. However, in unicast mode a Sender unit can communicate with only one Receiver unit at a time. In *unicast* mode, the VGA KVM over IP functions similar to a VGA KVM switcher.

Information
The VGA KVM over IP Sender and Receiver units shipped from the factory in *unicast mode*.

The illustration, below, shows 3 Sender units (S1, S2, and S3) and 2 Receiver units (R1 and R2) on a network, operating in *unicast mode*. The video channels are notated in blue.

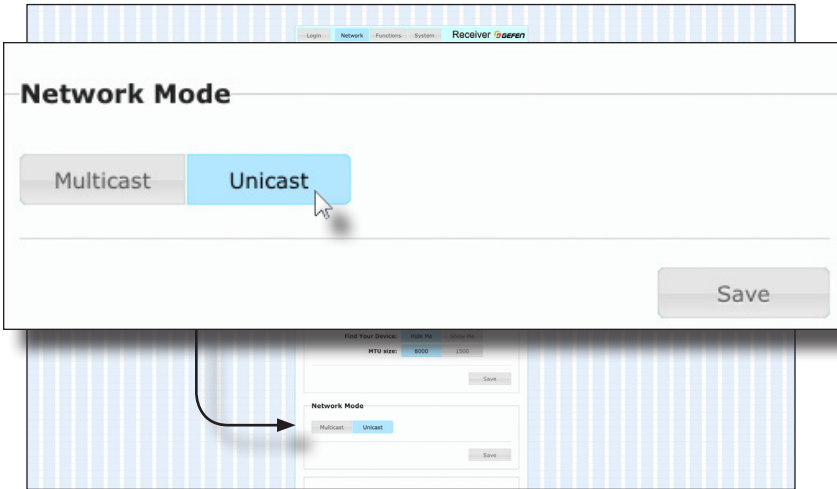
Figure 2.1 - Unicast mode: A Sender unit can communicate with only one Receiver unit at a time.



1. Access the Web interface for each Sender and Receiver unit that will be using *unicast mode*. In this example, we will start with Receiver unit R1.
2. Login as “Administrator”.

Tip
In *unicast mode*, the VGA KVM over IP behaves as a VGA KVM Switcher.

3. Click the **Network** tab.
4. Click the **Unicast** button under the **Network Mode** window group. When selected, the **Unicast** button will be highlighted in blue.



5. Click the **Save** button in the lower-right corner of the **Network Mode** group.
6. The following message will be displayed, at the top of the page, indicating that the casting mode has been applied to the Sender or Receiver unit.

Success: New casting mode applied.

7. Click the **Reboot** button at the bottom of the page. If the **Reboot** button is not clicked, the following message will be displayed, indicating that the unit must be rebooted.

Warning: Reboot for new settings to take effect.

8. Repeat steps 1 - 7 in order to configure the Sender unit for *unicast* mode.



Important

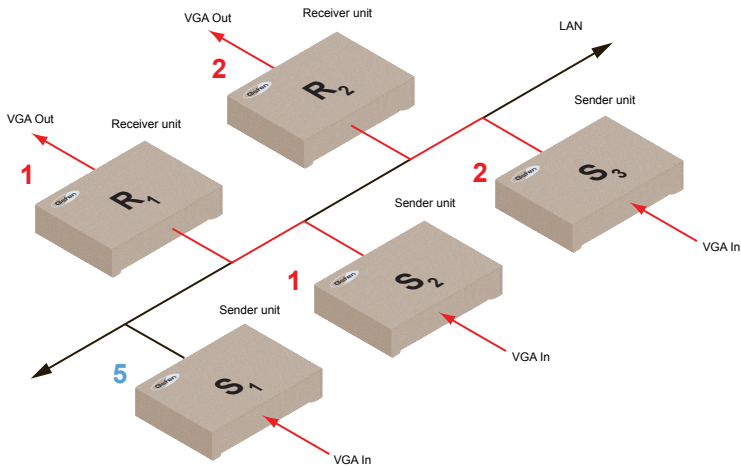
When switching between *unicast* and *multicast* modes, both Sender and Receiver units must be set to the same mode.

Switching between Sender units in Unicast mode

When multiple Sender and Receiver unit are used in *unicast* mode, the VGA KVM over IP behaves as a switcher. In *unicast* mode, a Sender unit can communicate with only one Receiver unit at a time.

In the example below, we will switch Receiver unit R1 to receive the VGA source on Sender unit S1. To do this, all we need to do is change the video channel.

Figure 2.2 - Unicast mode: Receiver unit R1 is connected to Sender unit S2.

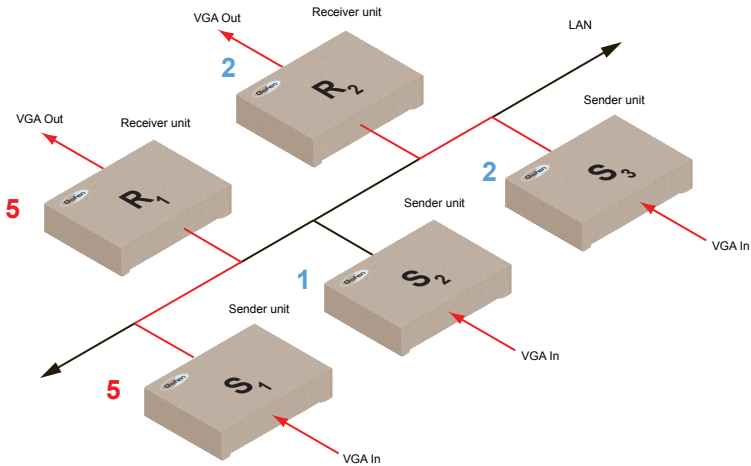


1. Access the Web interface for Receiver unit R1.
2. Login as “Administrator”.
3. Click the **Network** tab and change the video channel. Refer to [Setting the Video Channel](#) if necessary.
4. Click the **Save** button.
5. The following message will be displayed, at the top of the page, indicating that the new channel has been applied to the Sender or Receiver unit.

Success: Channel Selected.

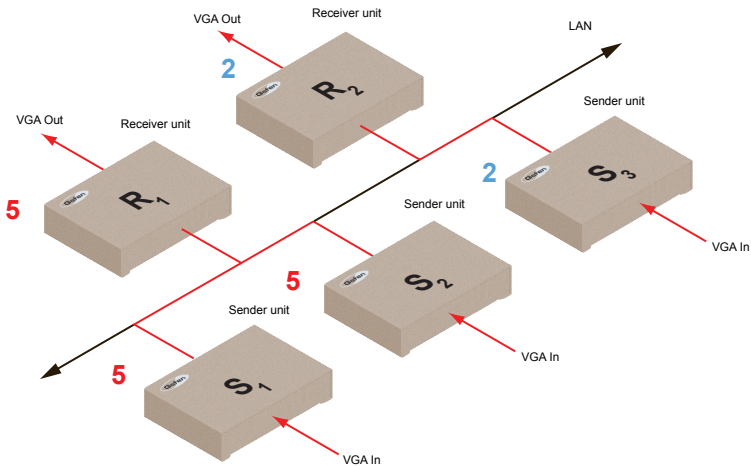
6. Receiver unit R1 is now receiving the VGA source on Sender unit S1, as shown on the next page.

Figure 2.3 - Unicast mode: Receiver unit R1 is now connected to Sender unit S1.



Now, let's set both Sender S1 and S2 to channel 5 and observe what happens:

Figure 2.4 - Unicast mode violation: Two Sender units (S1 and S2) using the same video channel.



In this example, Receiver R1 will continue to receive audio/video data from Sender S1, even though Sender S2 is set to the same channel. The reason for this is because Receiver R1 and Sender S1 were already set to the same channel and communicating (as depicted in Figure 2.3). However, this scenario violates the *unicast* mode rule: A Sender unit can communicate with only one Receiver unit at a time.

When using *unicast* mode, each of the Sender units must be assigned a unique channel and should never be changed. Use the Receiver unit to switch (channels) between Sender units.

Multiple Receiver units can simultaneously connect to any Sender unit within the network including the Gefen KVM over LAN products with HDMI, DVI, or VGA video, to create a virtual matrix of just over 65,000 Sender and Receiver units, depending on the network bandwidth and number of ports on the network switch. Although any combination of HDMI, DVI, and VGA Senders and Receivers can be used, HDCP content is only supported by HDMI Sender and Receiver units.



Information

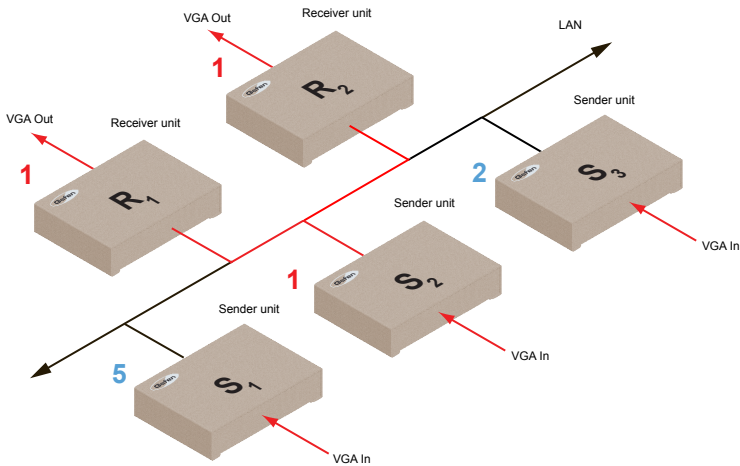
In *unicast* mode, if an additional Sender unit is introduced into a system with the same channel as another Sender unit, then the Receiver unit will continue to receive audio/video data from the Sender unit which was connected first.

Configuring Multicast Mode

The term multicast is used to describe a configuration where information is sent from one or more points to a set of other points. For example, a single Sender unit can transmit data to multiple Receiver units. In addition, if multiple Sender units are used, each Sender unit can transmit data to any Receiver that is not already receiving data from another Sender unit. In *multicast* mode, the VGA KVM over IP functions similar to a VGA KVM matrix.

The illustration, below, shows 3 Sender units (S1, S2, and S3) and 2 Receiver units (R1 and R2) on a network, operating in *multicast* mode. The video channels are shown in blue.

Figure 2.5 - Multicast mode: A Sender unit can communicate with multiple Receiver units.



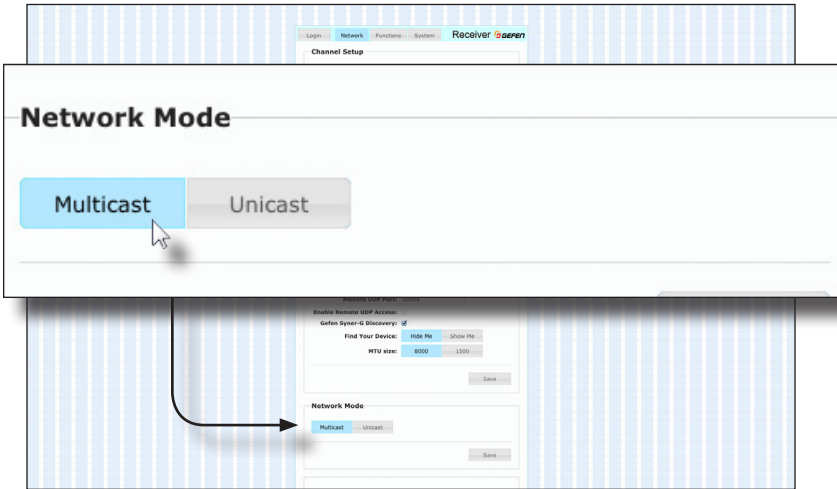
1. Access the Web interface for each Sender and Receiver unit that will be using *multicast mode*. In this example, we will start with Receiver S2.
2. Login as “Administrator”.



Tip

In *multicast mode*, the VGA KVM over IP behaves as a VGA KVM Matrix.

3. Click the **Network** tab.
4. Click the **Multicast** button under the **Network Mode** window group. When selected, the **Multicast** button will be highlighted in blue.



5. Click the **Save** button in the lower-right corner of the **Network Mode** group.

The following message will be displayed, at the top of the page, indicating that the casting mode has been applied to the Sender or Receiver unit.

Success: New casting mode applied.

If a display is connected to the Receiver unit, then the message "Starting USB" will be displayed. For more information on using USB under multicast mode, refer to [USB under Multicast Mode](#).

6. Click the **Reboot** button at the bottom of the page. If the **Reboot** button is not clicked, the following message will be displayed, indicating that the unit must be rebooted.

Warning: Reboot for new settings to take effect.

7. Repeat the steps above in order to configure the Sender unit to *multicast* mode.



Important

When switching between *unicast* and *multicast* modes, both Sender and Receiver units must be set to the same mode.

Gefen Syner-G Discovery

Enabling the Gefen Syner-G Discovery feature allows the Gefen Syner-G Software Suite or Gefen Discovery Tool App to locate a Sender and/or Receiver on a network. Once the software is able to locate the unit, IP settings can be changed as desired.

1. Access the Web interface by entering the IP address of a Receiver or Sender unit.
2. Login as “Administrator”.
3. Click the **Network** tab.
4. Under the **IP Setup** window group, check the **Gefen Syner-G Discovery** box to allow the Gefen Syner-G software to locate the unit. If you do not want the unit to be discoverable, then un-check this box.
5. Click the **Save** button.
6. Click the **Reboot** button at the bottom of the page to restart the unit and apply the change.

Remote UDP Port: 50008

Enable Remote UDP Access:

Gefen Syner-G Discovery:

Find Your Device: Hide Me Show Me

MTU size: 8000 1500

Save

FCP/External Port: 23

Enable Telnet/TCP Access:

UDP Port: 50007

Enable UDP Access:

Remote UDP IP Address: 192.168.1.255

Remote UDP Port: 50008

Enable Remote UDP Access:

Gefen Syner-G Discovery:

Find Your Device: Hide Me Show Me

MTU size: 8000 1500

Save

Network Mode

Multicast Unicast

Save

Reboot

Finding Your Device

If several Sender and Receiver unit pairs are connected on a network, you may need to physically identify a particular Sender and/or Receiver unit. In such a case, use the **Find Your Device** feature.

1. Access the Web interface by entering the IP address of a Receiver or Sender unit.
2. Login as “Administrator”.
3. Click the **Network** tab.
4. Under the **IP Setup** window group, click the **Show Me** button. By default, the **Hide Me** button will be selected.

Although shown, below, it is not necessary to have the **Gefen Syner-G Discovery** option *enabled* in order to use the **Find Your Device** feature.

Remote UDP Port: 50008

Enable Remote UDP Access:

Gefen Syner-G Discovery:

Find Your Device: Hide Me Show Me

MTU size: 8000 1500

Save

IP Setup

IP Mode: Auto IP DHCP Static

MAC Address: 02395000A8FC

IP Address: 192.168.1.171

Subnet Mask: 255.255.255.0

Default Gateway: 192.168.1.1

HTTP Port: 80

TCP/Control Port: 23

Enable Telnet/TCP Access:

UDP Port: 50007

Enable UDP Access:

Remote UDP IP Address: 192.168.1.255

Remote UDP Port: 50008

Enable Remote UDP Access:

Gefen Syner-G Discovery:

Find Your Device: Hide Me Show Me

MTU size: 8000 1500

Save

Network Mode

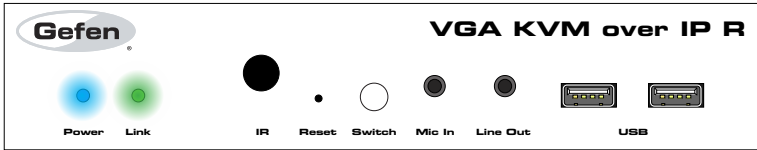
Multicast Unicast

Save

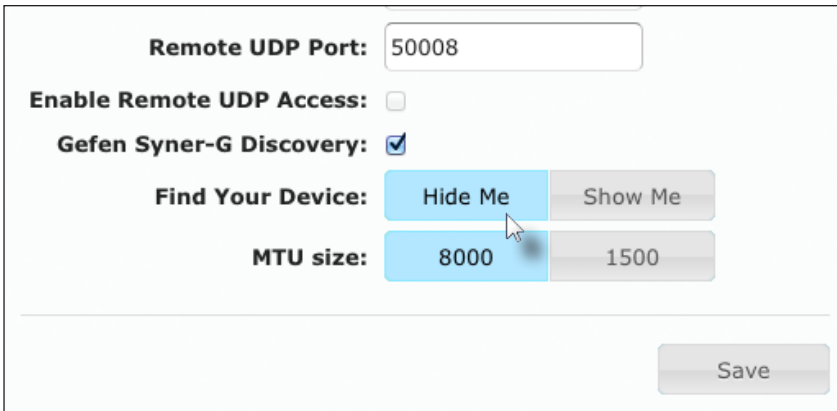
- The following message will be displayed, at the top of the page, indicating that the LED indicators on the unit are blinking.



- The **Power** and **Link** LED indicators will continue to blink until the **Hide Me** button is clicked.



- Click the **Hide Me** button to stop both LED indicators from blinking.


 A screenshot of a web-based configuration interface. It includes:

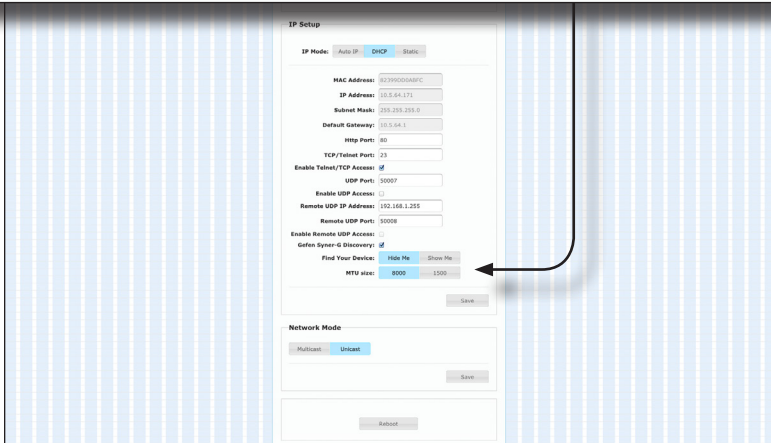
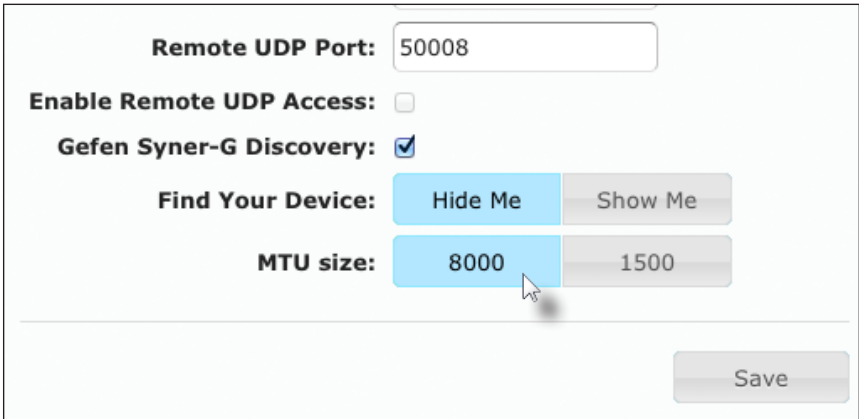
- Remote UDP Port:** A text input field containing "50008".
- Enable Remote UDP Access:** A checkbox that is currently unchecked.
- Gefen Syner-G Discovery:** A checkbox that is checked.
- Find Your Device:** Two buttons: "Hide Me" (highlighted in blue) and "Show Me" (grey).
- MTU size:** Two buttons: "8000" (highlighted in blue) and "1500" (grey).
- A "Save" button at the bottom right.

- The **Power** and **Link** LED indicators will stop blinking and the following message will be displayed at the top of the page.

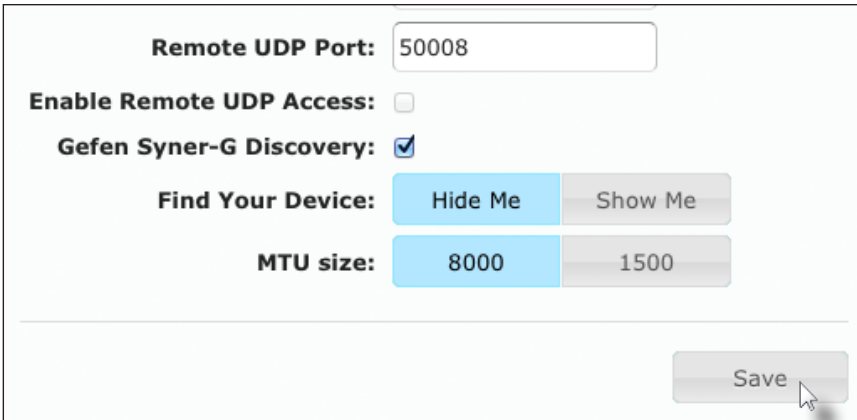


The MTU (Maximum Transmission Unit) size setting relates to the maximum data packet size that can be transmitted between the Sender and Receiver unit. Use this setting based on the maximum bandwidth of the network switch that is being used.

1. Access the Web interface by entering the IP address of a Receiver or Sender unit.
2. Login as "Administrator".
3. Click the **Network** tab.
4. Click the **8000** or **1500** button to set the desired MTU size.
 - ▶ If you are using a gigabit switch with 8K jumbo frame capability, then click the **8000** button.
 - ▶ If you are using a megabit switch, then click the **1500** button.



5. Click the **Save** button.



Remote UDP Port: 50008

Enable Remote UDP Access:

Gefen Syner-G Discovery:

Find Your Device: Hide Me Show Me

MTU size: 8000 1500

Save

6. Click the **Reboot** button at the bottom of the page to restart the unit and apply the change.
7. Repeat steps 1 - 6 for each Sender and Receiver unit.

The VGA KVM over IP supports RS-232 pass-through, allowing the control of remote RS-232 devices. The Sender and Receiver unit which are being used to pass-through the RS-232 data must be set to the same baud rate as the RS-232 host and client.

In the example below, an RS-232 device has been connected to Receiver R1. We want to control this product from Sender unit S3, using an automation control device. The channel numbers are listed in blue.

Figure 2.6 - Basic RS-232 connection

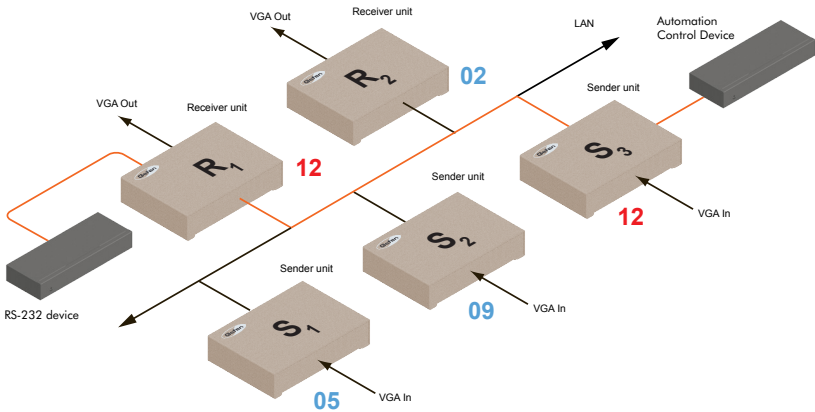


Table 2.1 - RS-232 settings for an arbitrary RS-232 device.

Description	Setting
Baud rate	19200
Data bits	8
Parity	None
Stop bits	1
Hardware flow control	None

Confirm that the same RS-232 settings are assigned to both the Sender and Receiver units. To do this, access the Web interface on both the required Sender unit and Receiver unit to set the proper RS-232 settings. Follow the instructions on the next page.

1. Access the Web interface for the Sender unit and login as “Administrator”.
2. Click the **Functions** tab.
3. Locate the **Serial over IP** group and change the RS-232 settings to match the settings of the RS-232 device that is being used. In this case, we need to use the settings from Table 2.1

Serial over IP

Enable Serial over IP

Baudrate Setting for Type 2:

Baudrate:

Data bits:

Parity:

Stop bits:

4. Make sure that the **Enable Serial over IP** box is checked.




Important

If **Enable Serial over IP** is not checked, then RS-232 pass-through will be disabled.

5. Click the **Save** button in the lower-right corner of the **Serial over IP** group.

6. The following message will be displayed, at the top of the page, indicating that the new Serial over IP options have been applied.

 **Success:** New Serial over IP options applied.

7. Click the **Reboot** button at the bottom of the page. If the **Reboot** button is not clicked, the following message will be displayed, indicating that the unit must be rebooted.

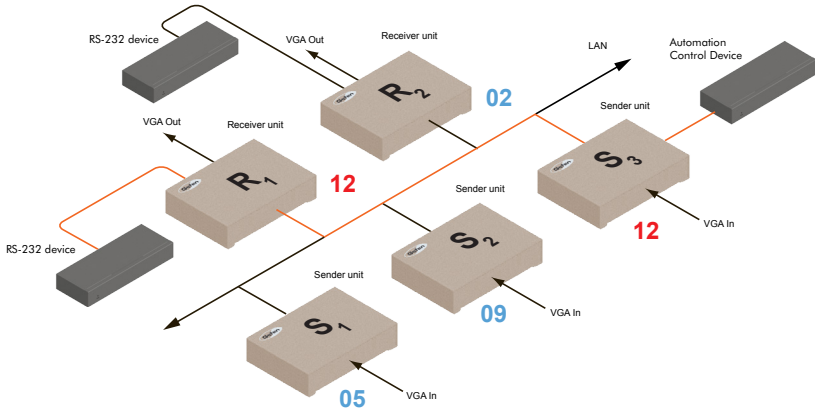
 **Warning:** Reboot for new settings to take effect.

8. Repeat steps 1 - 7 for the Receiver unit.

RS-232 under Unicast Mode

In *unicast mode*, a Sender unit will be able to communicate with only one Receiver unit at a time.

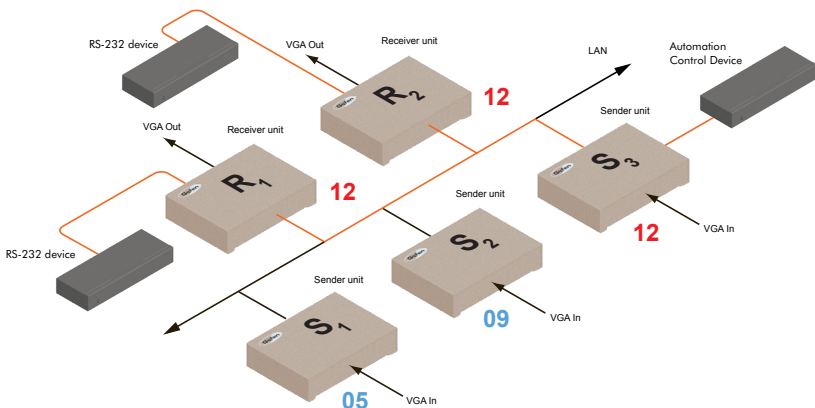
Figure 2.7 - In unicast mode, the host can talk to only one RS-232 device at a time.



RS-232 under Multicast Mode

In *multicast mode*, a Sender unit can communicate with multiple Receiver units simultaneously.

Figure 2.8 - In multicast mode, the host can talk to multiple RS-232 devices.



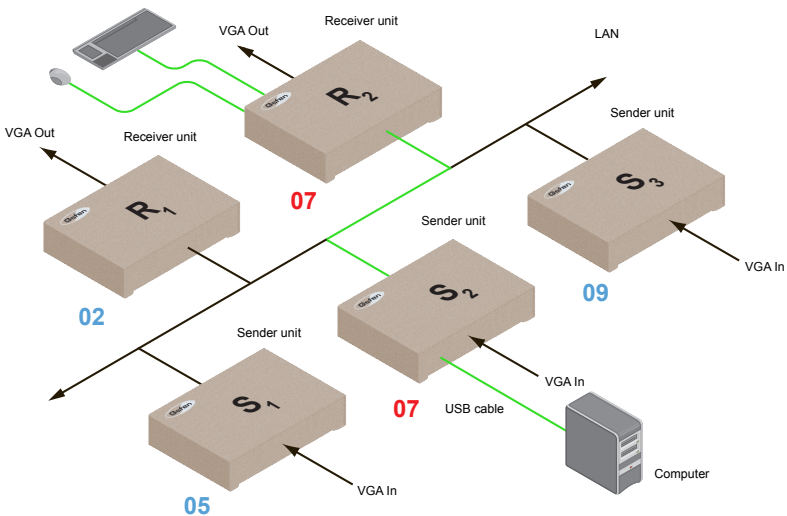
USB under Unicast Mode

When connecting USB devices to the VGA KVM over IP, the functionality is similar to that of video and RS-232.

Information
 The VGA KVM over IP Sender and Receiver units shipped from the factory in *unicast mode*.

As an example, we will start with our original diagram and connect a computer to Sender unit S2 and a keyboard and mouse device to Receiver unit R2. This will allow us to control the computer from the Receiver unit.

Figure 2.9 - Using USB devices under unicast mode.



1. Make sure the desired Sender and Receiver units are set to *unicast* mode. Refer to [Configuring Unicast Mode](#) if necessary.
2. Access the Web interface for the Sender unit.
3. Login as “Administrator”.
4. Click the **Functions** tab.

4. Locate the **USB over IP** group and make sure the **Enable USB over IP** box is checked. This is the default setting. Note that in *unicast* mode, the **Operation Mode** is automatically set to **Active on link** and cannot be changed.

USB over IP

Enable USB over IP

Operation Mode:

Active per request (Default - Only one station can active USB devices at one time)

Active on link (Up to 4 USB devices within the network can be active at the same time)

USB Mouse Mode:

High Resolution

Compatibility

5. Make sure that the **USB Mouse Mode** is set to **High Resolution**. This is the default setting. Use **Compatibility** mode *only* if using additional KVM switchers or other devices within the system that causes the mouse to behave erratically.
6. Click the **Save** button within the **USB over IP** group, then click the **Reboot** button at the bottom of the page.
7. Connect the USB host (e.g. computer) to the **USB** port on the Sender unit.
8. Connect a USB device (keyboard and/or mouse) to a USB port on the Receiver unit. Up to 4 USB devices can be connected per network in *unicast* mode.
9. The keyboard and mouse (or other USB device) can now be used from the Receiver unit.



Important

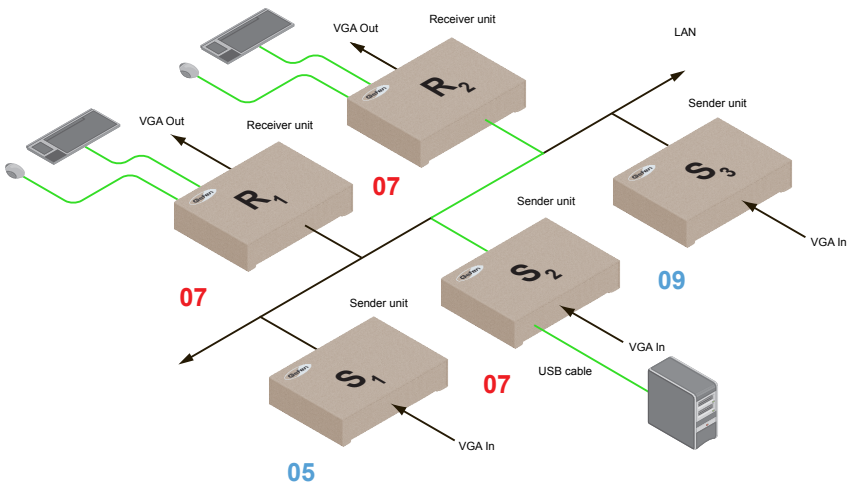
When enabling or disabling USB over IP, the **Save** and **Reboot** buttons must be clicked to apply changes.

USB under Multicast Mode

When connecting USB devices to the VGA KVM over IP, the functionality is similar to that of video and RS-232. There are two USB modes available in multicast mode: *Active per request* mode and *Active on link* mode.

For an example, we'll begin with the last diagram and connect another keyboard and mouse device to Receiver R1. This will allow us to control the computer from two separate locations.

Figure 2.9 - Using USB devices under multicast mode.



1. Make sure the desired Sender and Receiver units are set to *multicast* mode. Refer to [Configuring Multicast Mode](#) if necessary.
2. Access the Web interface for the Sender unit.
3. Click the **Functions** tab.
4. Locate the **USB over IP** group and make sure the **Enable USB over IP** box is checked. This is the default setting. See the illustration on the following page.

Enable USB over IP

Operation Mode:

Active per request (Default - Only one station can active USB devices at one time)

Active on link (Up to 4 USB devices within the network can be active at the same time)

USB Mouse Mode:

High Resolution

Compatibility

Serial over IP

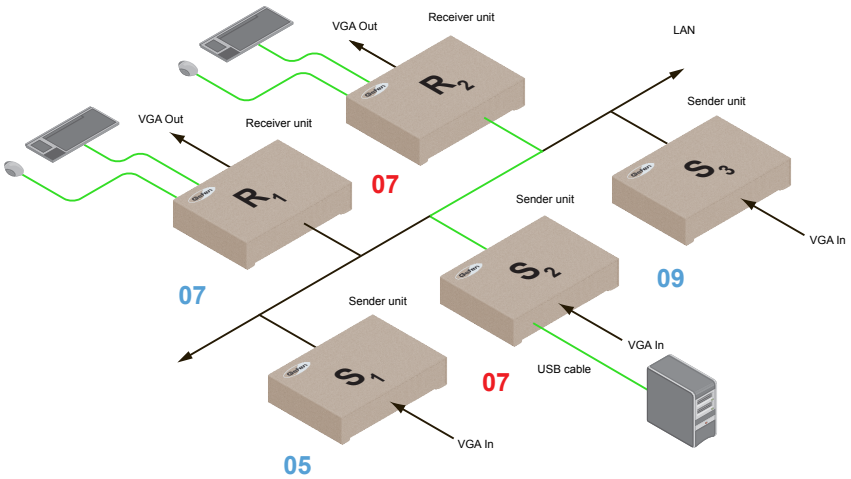
Note that in *multicast* mode, the **Operation Mode** for both Sender and Receiver units are automatically set to **Active per request** mode.

Under *Active per request* mode, multiple USB devices may be present on one or more Receiver units. However, only one Receiver unit can have USB control at a time.

By default, the first Receiver unit connected to the system will have USB control. In the example, below, Receiver unit R2 currently has control (we arbitrarily connected Receiver unit R2 before Receiver unit R1).

See the diagram on the next page.

Figure 2.10 - Receiver unit R2 currently has USB control.



Important

If switching between *Active per request* mode and *Active on link* mode, the **Save** and **Reboot** buttons must be clicked to apply changes.

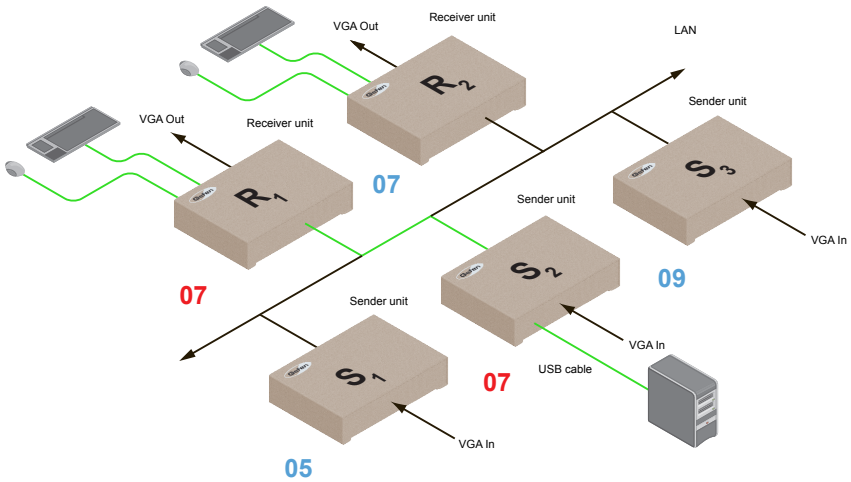
Now, let's look at an example of switching USB control between two Receiver units. Using the diagram, above, we want Receiver unit R1 to have USB control.

To assign USB control to another Receiver unit, follow the steps on the next page.

Active per request mode

1. Press and hold the **Switch** button on the desired Receiver unit, for at least two seconds. In this example, we will depress the **Switch** button on Receiver unit R1.
2. The message “Starting USB” will appear on the connected display.

Figure 2.11 - Receiver unit R1 has USB control.



3. In order to assign USB control to a different Receiver unit, repeat steps 1 - 2.



Important

If switching between *Active per request* mode and *Active on link* mode, the **Save** and **Reboot** buttons must be clicked to apply changes.

Active on link mode

Under *Active on link* mode, a maximum of four USB devices can be used within a system. In the diagram, on the previous page, the system is already using the maximum number of USB devices (2 USB devices per Receiver). If we had two more Receiver units (making a total of four Receiver units), we would only be able to connect one USB device to each Receiver unit. To switch to *Active on link* mode, follow the instruction below.

1. Access the Web interface for the Sender unit.
2. Login as “Administrator”.
3. Click the **Functions** tab.
4. Locate the **USB over IP** group and make sure the **Enable USB over IP** box is checked. This is the default setting.

USB over IP

Enable USB over IP

Operation Mode:

Active per request (Default - Only one station can active USB devices at one time)

Active on link (Up to 4 USB devices within the network can be active at the same time)

USB Mouse Mode:

High Resolution

Compatibility

5. Click the **Active on link** radio button within the **USB over IP** group.

Note that in *unicast* mode, the **Operation Mode** is automatically set to **Active on link** and cannot be changed.

6. Click the **Save** button within the **USB over IP** group.
7. The following message will be displayed, at the top of the page, indicating that the new Serial over IP options have been applied.

 **Success:** New USB options applied.

8. Click the **Reboot** button at the bottom of the page. If the **Reboot** button is not clicked, the following message will be displayed, indicating that the unit must be rebooted.

 **Warning:** Reboot for new settings to take effect.

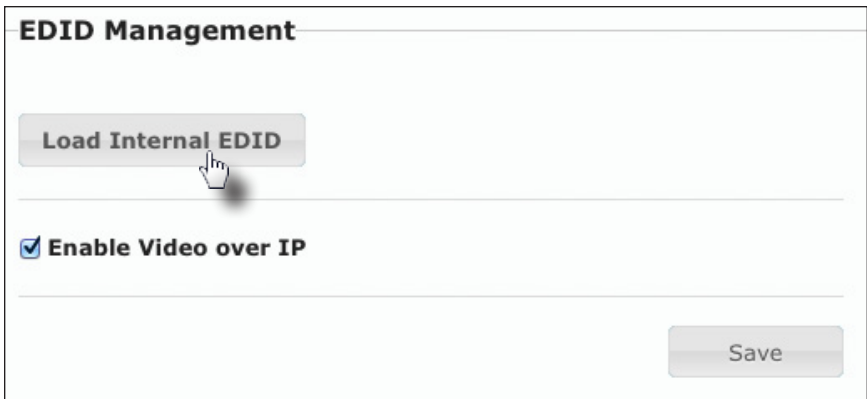
9. Repeat steps 2 - 8 for the Receiver unit.

The VGA KVM over IP features EDID Management. Before the source can send video (and/or audio) data, the source device (connected to each Sender unit) reads the EDID (Extended Display Identification Data) from the displays which are connected to each Receiver unit. The EDID contains information about what type of audio/video data can be sent by each source.

By default, the (downstream) EDID from the display, connected to the Receiver unit, is used. However, under certain circumstances, it may be desirable to use the internal EDID which is stored in the Sender unit.

Using the Internal EDID

1. Access the Web interface for the Sender unit.
2. Login as “Administrator”.
3. Click the **Functions** tab.
4. Click the **Load Internal EDID** button.



5. After a few moments, the following message will appear at the top of the page, indicating that the new EDID has been applied.

Success: New video mode applied.

Clicking the **Save** or **Reboot** button is *not* required for the changes to take effect.

Using the Downstream EDID

By default, the (downstream) EDID from the display, connected to the Receiver unit, is used. If the internal EDID is being used, then use the following procedure to revert to the downstream EDID.

1. Access the Web interface for the Receiver unit.
2. Login as “Administrator”.
3. Click the **Functions** tab.
4. Make sure that the **Copy EDID of Connected Display** box is checked. This is the default setting.

EDID Management

Copy EDID of Connected Display

Enable Video over IP

Save



Information

Clicking the **Load Internal EDID** button, under the Sender unit, will override the status of the **Copy EDID of Connected Display** check box.

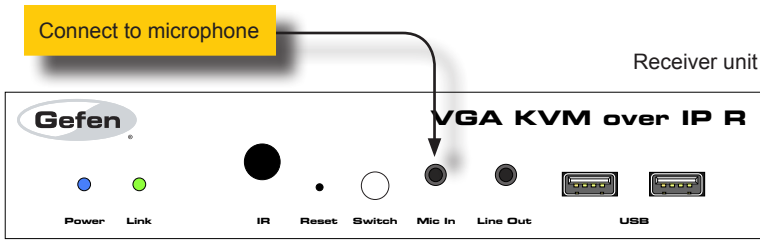
5. Click the **Save** button within the **EDID Management** window group.
6. The following message will be displayed, at the top of the page, indicating that the new Serial over IP options have been applied.

Success: New video mode applied.

7. Click the **Reboot** button at the bottom of the page.
8. The Sender unit will now use the EDID of the downstream sink device.

Audio works in both unicast and multicast modes. The only difference between the two modes is that the **Mic In** jack is automatically disabled, on all Receiver units, in *multicast* mode. To illustrate how audio works with the VGA KVM over IP, we will set up a microphone and some speakers.

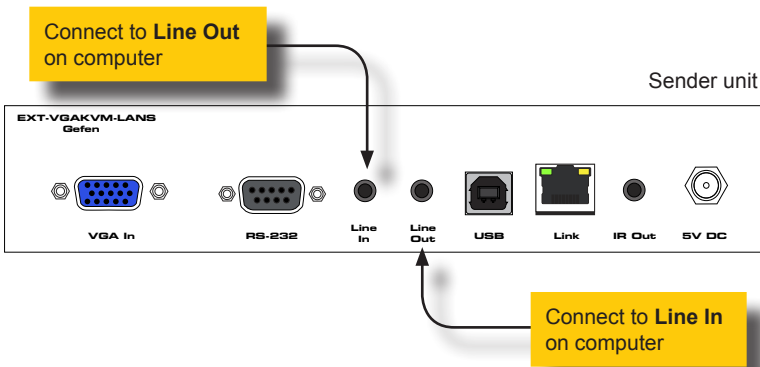
1. Our computer has a **Line In** jack, as part of the sound card and we want to be able to access this jack from the Receiver unit. Therefore, connect the microphone to the **Mic In** jack on the Receiver unit.



2. In order to get the audio from the microphone into the computer, connect a 3.5mm-to-3.5mm mini-stereo cable from the **Line Out** jack on the Sender unit to the **Line In** jack on the computer.

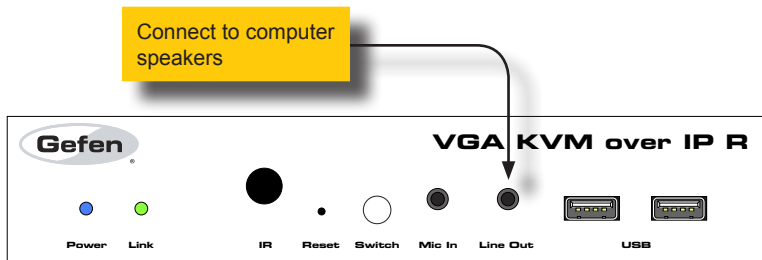
Warning

Do *not* connect the mini-stereo cable from the **Line Out** jack on the Sender unit to the **Mic In** jack on the computer. Doing so will result in audio "clipping" and may cause damage to the computer's sound card.



3. Connect another 3.5mm-to-3.5mm mini-stereo cable between the **Line Out** jack on the computer and the **Line In** jack on the Sender unit. Note that any audio device (e.g. MP3 player, etc.) can also be connected to the **Line In** jack on the Sender unit.

- Finally, we'll connect a set of powered computer speakers to the **Line Out** jack on the Receiver unit.



In the diagram below, the mouse and keyboard USB devices have been removed from Sender unit S2 and Receiver unit R2, for purposes of clarity. Arrowheads indicate the audio signal path.

Figure 2.12 - Speaker and microphone connections in unicast mode.

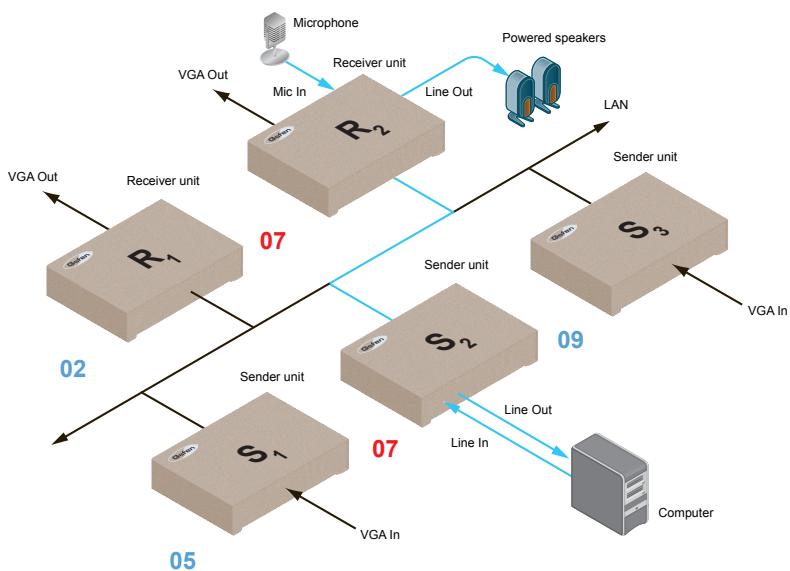
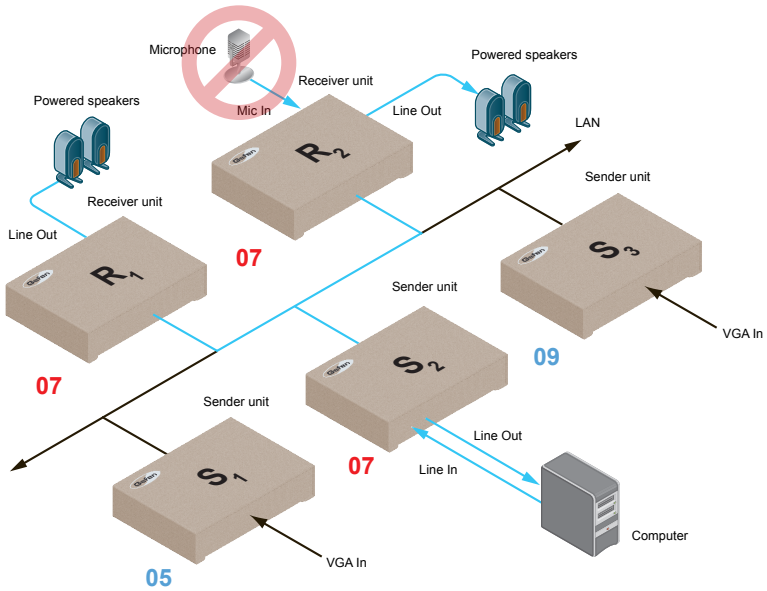


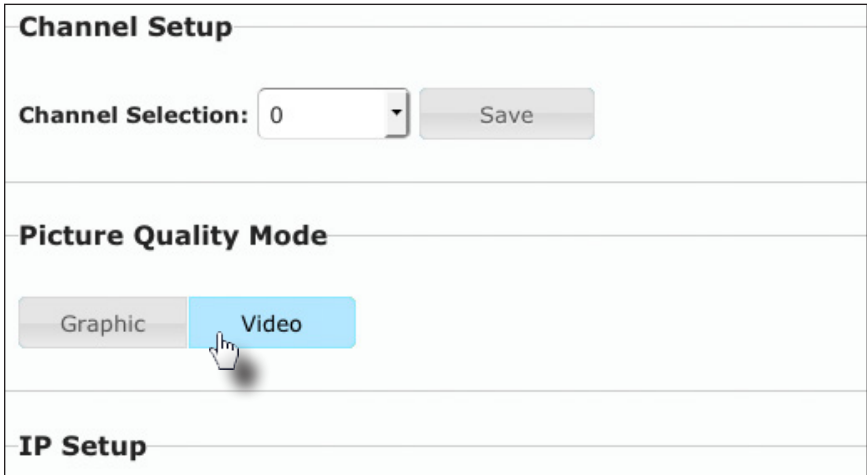
Figure 2.13 - The Mic In jack, on all Receiver units, is automatically disabled in multicast mode.



The video mode can be changed using the **Mode** button or through the Web interface of the Sender unit. Consecutively pressing the **Mode** button on the Sender unit will switch between Graphic, Low, Med, High, and Video mode. The Web interface will allow you to select either Graphic or Video modes.

Using the Web interface

1. Access the Web interface for the Sender unit.
2. Login as “Administrator” or “User”.
3. Click the **Network** tab.
4. Click the desired mode within the **Picture Quality Mode** window group. The default setting is “Video”.



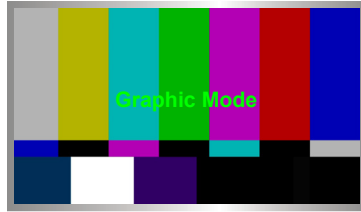
► Video Mode

If the VGA signal is motion video, then click the **Video** button. This mode will optimize the frame rate.

► Graphic Mode

If the VGA signal is a static image, then click the **Graphic** button.

- The selected mode will be displayed on the screen, as shown below.



- Rebooting the Sender unit is *not* required for the changes to take effect.

Using the Front Panel

- Press the **Mode** button on the front panel of the Sender unit.
- Consecutively press the **Mode** button on the Sender unit to switch between **Graphic**, **Low**, **Med**, **High**, and **Video** modes. The video modes on all Sender and Receiver units, on the network, should be set to the same mode.

▶ **Graphic Mode**

If the source video signal is a static image, then click the Graphic button.

▶ **Low**

Low-bandwidth video mode. Limits the video bandwidth on the network. Note that using this setting will degrade the video quality. Use this setting if you are connected to a 100-megabit switch.

▶ **Med**

Medium-bandwidth video mode. Use this setting if you are connected to a 100-megabit switch.

▶ **High**

High-bandwidth video mode. Use this setting if you are connected to a 100-megabit switch.

▶ **Video Mode**


"Ultra-high" bandwidth video mode. This mode should be used with a gigabit switch that supports 8K (or greater) jumbo frames.

- The selected mode will be displayed on the screen, as shown at the top of the page.

Changing the Password

1. Access the Web interface for the Sender / Receiver unit.
2. Login as "Administrator".
3. Click the **System** tab.
4. Under the **Password Change** window group, enter the new password for the desired username. Note that the new password will *not* be masked when it is entered.
5. Click the **Change** button.

▼ Version Information:



kernel version: A5.22
webfwh version: V1.53h

Reboot

Reset

Password Change

Administrator:

User:

The VGA KVM over IP can be reset using the Web interface or using the buttons on the front panel. When using the Web interface, the Sender / Receiver units will automatically be reset to *Auto IP* mode. When using the front-panel buttons, the Sender / Receiver can be reset to either *Auto IP* or *Static IP* mode.

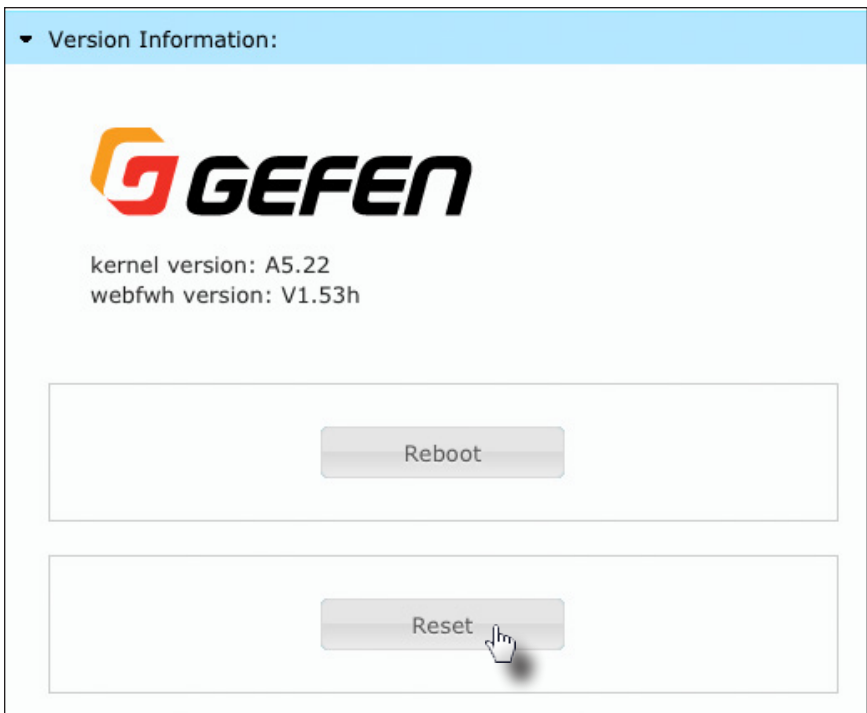
Reset using the Web Interface



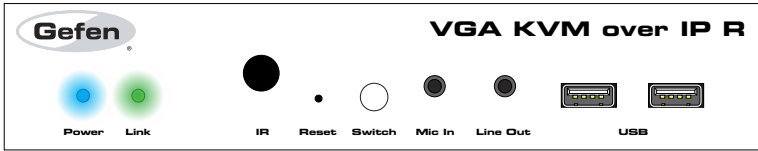
Information

Once a unit has been reset to Auto IP mode, the connection to the Web interface will be terminated. To reestablish a connection to the Web interface, from your computer, see *Installation & Configuration* (page 6).

1. Access the Web interface for the desired Sender / Receiver unit. It does not matter which unit is reset first.
2. Login as “Administrator”.
3. Click the **System** tab.
4. Click the **Reset** button.



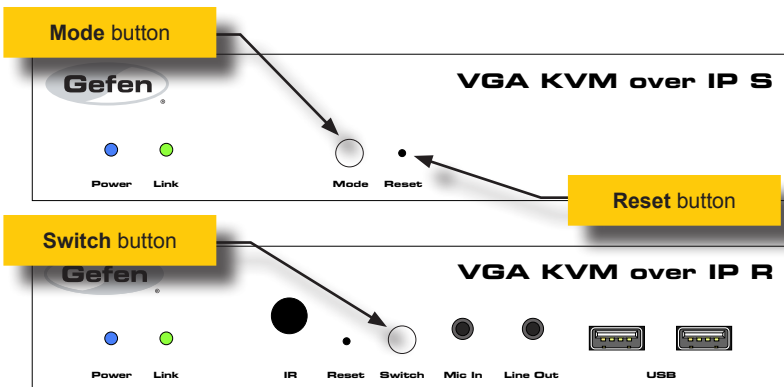
- Both the **Power** and **Link** LED indicators will begin to flash.



- After both LED indicators stop flashing, the unit will be reset.
- Repeat the process for each unit.

Reset using the Front Panel

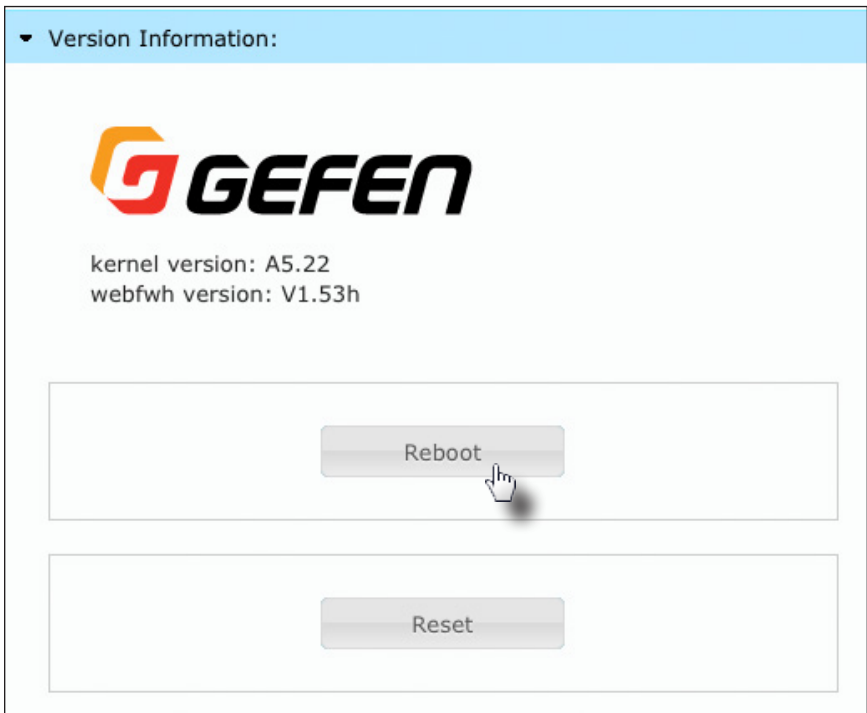
1. Disconnect the power from the Sender / Receiver unit. It does not matter which unit is reset first. When the VGA KVM over IP is reset, it can be set to either *Auto IP* or *Static IP* mode.
2. Use one of the following options to reset the unit to the desired mode.
 - ▶ Factory reset with *Auto IP mode*:
 1. If resetting the Sender unit, press and hold the **Mode** button. If resetting the Receiver unit, press and hold the **Switch** button.
 2. Reconnect the power to the unit you are resetting.
 3. Hold the **Mode / Switch** button until both Power and Link LED indicators begin to flash.
 4. Release the Mode / Switch button.
 - ▶ Factory reset with *Static IP mode*:
 1. If resetting the Sender unit, press and hold the **Mode** button. If resetting the Receiver unit, press and hold the **Switch** button.
 2. Reconnect the power to the unit you are resetting.
 3. Hold the **Mode / Switch** button until the **Power** LED indicator begin to flash.
 4. Release the **Mode / Switch** button.
 5. After a few moments, the Link LED indicator will also begin to flash.
3. Press the **Reset** button using the end of a paper clip or other sharp pointed object.



The VGA KVM over IP Sender or Receiver unit can be rebooted in three different ways: Using the Web interface, the Reset button on the front panel, or simply disconnecting and reconnecting the power.

Reboot using the Web Interface

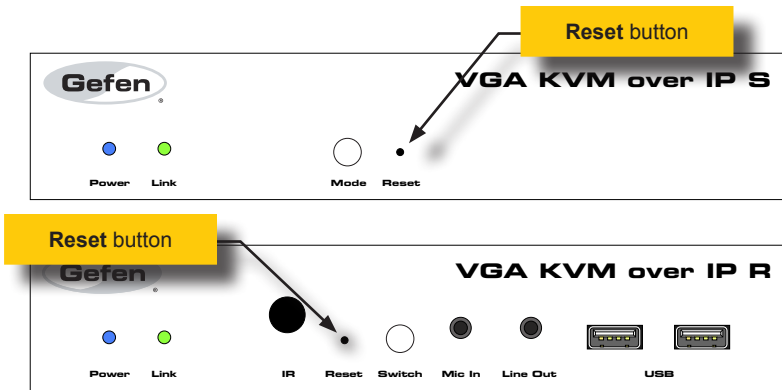
1. Access the Web interface for the Sender / Receiver unit.
2. Login as “Administrator”.
3. Click the **System** tab.
4. Click the **Reboot** button.



5. After a few moments, the **Power** LED indicator will flash.
6. Several seconds later, the **Power** LED indicator will glow solid blue and the **Link** LED indicator will begin to flash.
7. After both LED indicators stop flashing, the reboot process will be complete.

Reboot using the Front Panel

1. Press the **Reset** button, on the desired Sender or Receiver unit, using the end of a paper clip or other sharp pointed object.
2. After a few moments, the **Power** LED indicator will flash.
3. Several seconds later, the **Power** LED indicator will glow solid blue and the **Link** LED indicator will begin to flash.
4. After both LED indicators stop flashing, the reboot process will be complete.



VGA KVM over IP

3

Advanced Operation



Information

By default, the Telnet login credentials are disabled. This setting is required when using the Matrix controller (Gefen part no. EXT-CU-LAN) but can be enabled for security purposes. Use the `#use_telnet_login` command to enable or disable this feature.

1. Launch the desired terminal application (e.g. Windows Hyperterminal, etc).
2. Within the terminal program, enter the IP address of the Sender or Receiver unit that you wish to control.
3. Enter the TCP listening port. The default listening port is 23.
4. After the correct settings have been used in the terminal program, information similar to the following will be displayed.

In the example, below, we are connected to the client (Receiver unit) and Telnet login has been *enabled*:

```
----- Welcome to the Gefen Telnet Server -----  
ast2-client001C9103C8B3 login:
```

5. Login as “Administrator”. The default password is “admin”. To change the Telnet password, see the `#set_telnet_pass` command.
6. Type `#help` for a list of commands or refer to the tables on the following pages.

Command	Description
#factory_reset	Resets the unit to factory-default settings
#get_description	Displays the description of the Sender / Receiver unit
#get_discovery	Displays the current state of the discovery service
#get_edid_copy	Displays the EDID copy state (Rx only)
#get_firmware_version	Displays the firmware version
#get_gateway	Displays the gateway IP address
#get_hardware_version	Displays the hardware version
#get_ip_address	Displays the IP address
#get_ip_mode	Displays the IP mode
#get_ipconfig	Displays the IP configuration information
#get_jumbo_mtu	Displays the current MTU setting
#get_net_mode	Displays the network casting mode
#get_netmask	Displays the netmask address
#get_pq_mode	Displays the picture quality mode (Tx only)
#get_product_name	Displays the name of the product
#get_remote_udp_access	Displays the remote UDP access state
#get_remote_udp_ip	Displays the remote UDP IP address
#get_remote_udp_port	Displays the remote UDP listening port
#get_rx_channel	Displays the channel of the Receiver unit (Rx only)
#get_rx_id	Displays the ID of the Receiver unit
#get_serial_allow	Displays the Serial-over-IP state
#get_serial_baud	Displays the serial baud rate setting
#get_serial_bits	Displays the serial data bits setting
#get_serial_parity	Displays the serial parity setting
#get_serial_stop	Displays the serial stop bits setting
#get_telnet_access	Displays the Telnet access state
#get_telnet_pass	Displays the Telnet password state
#get_telnet_port	Displays the Telnet listening port
#get_telnet_welcome	Displays the Telnet welcome message
#get_tx_channel	Displays the video channel (Tx only)
#get_udp_access	Displays the UDP access state
#get_udp_port	Displays the UDP listening port
#get_usb_allow	Displays the USB-over-IP state
#get_usb_mode	Displays the USB operating mode

Command	Description
#get_usb_mouse	Displays the mouse operating mode
#get_video_allow	Displays the Video-over-IP state
#get_web_port	Displays the HTTP listening port
#help	Displays a list of available commands
#reboot	Reboots the unit
#set_description	Sets the description of the Sender / Receiver unit
#set_discovery	Enables or disables the discovery service
#set_edid_copy	Enables or disables EDID copy (Rx only)
#set_gateway	Sets the gateway address
#set_ip_address	Sets the IP address
#set_ip_mode	Sets the IP mode
#set_jumbo_mtu	Sets the MTU mode
#set_net_mode	Sets the network casting mode
#set_netmask	Sets the netmask address
#set_pq_mode	Sets the picture quality mode (Tx only)
#set_remote_udp_access	Enables or disables remote UDP access
#set_remote_udp_ip	Sets the remote UDP IP address
#set_remote_udp_port	Sets the remote UDP listening port
#set_rx_id	Sets the ID of the Receiver unit (Rx only)
#set_serial_allow	Enables or disables Serial-over-IP mode
#set_serial_baud	Sets the baud rate for the serial port
#set_serial_bits	Sets the data bits for the serial port
#set_serial_parity	Sets the parity setting for the serial port
#set_serial_stop	Sets the number of stop bits for the serial port
#set_showme	Enables or disables the "show me" feature
#set_telnet_access	Enables or disables Telnet access
#set_telnet_pass	Sets the Telnet password
#set_telnet_port	Sets the Telnet listening port
#set_telnet_welcome	Sets the Telnet welcome message
#set_tx_channel	Sets the video channel (Tx only)
#set_udp_access	Enables or disables UDP access
#set_udp_port	Sets the UDP listening port
#set_usb_allow	Enables or disables USB-over-IP
#set_usb_mode	Sets the USB operating mode

Command	Description
#set_usb_mouse	Sets the mouse operating mode
#set_video_allow	Enables or disables Video-over-IP
#set_web_port	Sets the HTTP listening port
#set_webui_ad_pass	Sets the Administrator password for the Web UI
#set_webui_user_pass	Sets the User password for the Web UI
#use_telnet_login	Enable or disables Telnet login credentials
#use_telnet_welcome	Enables or disables the Telnet welcome message
r	Routes an input to a Receiver unit (Rx only)



Important

Commands that are limited to a Sender or Receiver unit are marked as "Tx only" and "Rx only", respectively. Unless otherwise noted, all commands can be used when connected to either a Sender or Receiver unit.

#factory_reset

Resets the unit to factory-default settings. *param1* must be included and set to 1.

Syntax

```
#factory_reset param1
```

Parameters

param1	Integer	1
--------	---------	---

Example

```
#factory_reset 1  
RESET TO FACTORY DEFAULTS
```

Related Commands

```
#reboot
```

#get_description

Displays the description of the Sender / Receiver unit.

Syntax

```
#get_description
```

Parameters

None

Example

```
#get_description  
EXT-VGAKVM-LAN-S
```

Related Commands

```
#get_product_name  
#set_description
```

#get_discovery

Displays the current discovery mode setting.

Syntax

```
#get_discovery
```

Parameters

None

Example

```
#get_discovery  
DISCOVERY SERVICE IS ENABLED
```

Related Commands

```
#set_discovery  
#set_showme
```

#get_edid_copy

Displays the EDID copy state. This command is only available when connected to a Receiver unit.

Syntax

```
#get_edid_copy
```

Parameters

None

Example

```
#get_edid_copy  
COPY EDID OF CONNECTED DISPLAY IS ENABLED
```

Related Commands

```
#set_edid_copy
```

#get_firmware_version

Displays the firmware version.

Syntax

```
#get_firmware_version
```

Parameters

None

Example

```
#get_firmware_version  
FIRMWARE VERSION IS V1.53V
```

Related Commands

```
#get_hardware_version
```


#get_gateway

Displays the gateway address of the Sender/Receiver unit.

Syntax

```
#get_gateway
```

Parameters

None

Example

```
#get_gateway  
GATEWAY: 192.168.0.1
```

Related Commands

```
#get_ip_address  
#get_ip_mode  
#get_ipconfig  
#get_netmask  
#set_gateway  
#set_ip_address  
#set_ip_mode  
#set_netmask
```

#get_hardware_version

Displays the hardware version of the Sender / Receiver unit.

Syntax

```
#get_hardware_version
```

Parameters

None

Example

```
#get_hardware_version  
HARDWARE VERSION IS ast1510hv1
```

Related Commands

```
#get_firmware_version
```

#get_ip_address

Displays the current IP address of the Sender or Receiver unit.

Syntax

```
#get_ip_address
```

Parameters

None

Example

```
#get_ip_address  
IP: 10.5.64.60
```

Related Commands

```
#get_gateway  
#get_ip_mode  
#get_ipconfig  
#get_netmask  
#get_web_port  
#set_gateway  
#set_ip_address  
#set_ip_mode  
#set_netmask  
#set_web_port
```

#get_ip_mode

Displays the current IP mode.

Syntax

```
#get_ip_mode
```

Parameters

None

Example

```
#get_ip_mode  
IP MODE IS SET TO DHCP
```

Related Commands

```
#get_gateway  
#get_ip_address  
#get_ipconfig  
#get_netmask  
#get_web_port  
#set_gateway  
#set_ip_address  
#set_ip_mode  
#set_netmask  
#set_web_port
```

#get_ipconfig

Displays the current IP configuration. In addition to providing the MAC address and the broadcast IP address, this command also provides the same information as executing the #get_ip_mode, #get_ip_address, #get_netmask, and #get_gateway commands.

Syntax

```
#get_ipconfig
```

Parameters

None

Example

```
#get_ipconfig
IP CONFIGURATION IS :
IP MODE: DHCP
IP: 10.5.64.60
NETMASK: 255.255.255.0
GATEWAY: 10.5.64.1
BROADCAST: 10.5.64.255
MAC ADDRESS: 00-1C-91-03-C8-B3
```

Related Commands

```
#get_gateway
#get_ip_address
#get_netmask
#get_web_port
#set_gateway
#set_ip_address
#set_ip_mode
#set_netmask
#set_web_port
```

#get_jumbo_mtu

Displays the current MTU (Maximum Transmission Unit) setting. The default setting is *enabled*.

Syntax

```
#get_jumbo_mtu
```

Parameters

None

Example

```
#get_jumbo_mtu  
JUMBO MTU is ENABLE
```

Related Commands

```
#set_jumbo_mtu
```

#get_net_mode

Displays the current network mode setting.

Syntax

```
#get_net_mode
```

Parameters

None

Example

```
#get_net_mode  
NETWORK CASTING MODE IS UNICAST
```

Related Commands

```
#set_net_mode
```

#get_netmask

Displays the current net mask setting.

Syntax

```
#get_netmask
```

Parameters

None

Example

```
#get_netmask  
NETMASK: 255.255.255.0
```

Related Commands

```
#get_gateway  
#get_ip_address  
#get_ipconfig  
#get_web_port  
#set_gateway  
#set_ip_address  
#set_ip_mode  
#set_netmask  
#set_web_port
```


#get_pq_mode

Displays the picture quality mode. This command is only available when connected to a Sender unit.

Syntax

```
#get_pq_mode
```

Parameters

None

Example

```
#get_pq_mode  
TRANSMITTER PICTURE QUALITY IS VIDEO
```

Related Commands

```
#set_pq_mode
```

#get_product_name

Displays the product name of the Sender / Receiver unit.

Syntax

```
#get_product_name
```

Parameters

None

Example

```
#get_product_name  
PRODUCT NAME IS EXT-VGAKVM-LAN-S
```

Related Commands

```
#get_description
```

#get_remote_udp_access

Displays the remote UDP access state.

Syntax

```
#get_remote_udp_access
```

Parameters

None

Example

```
#get_remote_udp_access  
REMOTE UDP ACCESS IS ENABLED
```

Related Commands

```
#get_remote_udp_ip  
#get_remote_udp_port  
#get_udp_access  
#get_udp_port  
#set_remote_udp_access  
#set_remote_udp_ip  
#set_remote_udp_port  
#set_udp_access  
#set_udp_port
```

#get_remote_udp_ip

Displays the remote UDP IP address.

Syntax

```
#get_remote_udp_ip
```

Parameters

None

Example

```
#get_remote_udp_access  
REMOTE UDP IP: 192.168.1.29
```

Related Commands

```
#get_remote_udp_access  
#get_remote_udp_port  
#get_udp_access  
#get_udp_port  
#set_remote_udp_access  
#set_remote_udp_ip  
#set_remote_udp_port  
#set_udp_access  
#set_udp_port
```

#get_remote_udp_port

Displays the remote UDP listening port.

Syntax

```
#get_remote_udp_port
```

Parameters

None

Example

```
#get_remote_udp_port  
REMOTE UDP COMMUNICATIONS PORT: 50008
```

Related Commands

```
#get_remote_udp_access  
#get_remote_udp_ip  
#get_udp_access  
#get_udp_port  
#set_remote_udp_access  
#set_remote_udp_ip  
#set_remote_udp_port  
#set_udp_access  
#set_udp_port
```

#get_rx_channel

Displays the current channel of the Receiver unit. To set the video channel of a Receiver unit, use the `r` command.

Syntax

```
#get_rx_channel
```

Parameters

None

Example

```
#get_rx_channel  
RECEIVER CHANNEL: 1
```

Related Commands

```
#get_tx_channel  
#set_tx_channel  
r
```

#get_rx_id

Displays the ID of the Receiver unit. This command is only available when connected to a Receiver unit.

Syntax

```
#get_rx_id
```

Parameters

None

Example

```
#get_rx_id  
RX ID: 8
```

Related Commands

```
#set_rx_id
```

#get_serial_allow

Displays the Serial-over-IP state. Use the #set_serial_allow command to enable or disable the Serial-over-IP feature.

Syntax

```
#get_serial_allow
```

Parameters

None

Example

```
#get_serial_allow  
SERIAL OVER IP is ENABLE
```

Related Commands

```
#get_serial_baud  
#get_serial_parity  
#get_serial_stop  
#set_serial_allow  
#set_serial_baud  
#set_serial_bits  
#set_serial_parity  
#set_serial_stop
```


#get_serial_baud

Displays the serial baud rate setting. Use the #set_serial_baud command to set the baud rate.

Syntax

```
#get_serial_baud
```

Parameters

None

Example

```
#get_serial_baud  
SERIAL BAUD RATE IS 19200
```

Related Commands

```
#get_serial_allow  
#get_serial_bits  
#get_serial_parity  
#get_serial_stop  
#set_serial_allow  
#set_serial_baud  
#set_serial_bits  
#set_serial_parity  
#set_serial_stop
```

#get_serial_bits

Displays the serial data bits setting. Use the `#set_serial_bits` command to set the number of data bits.

Syntax

```
#get_serial_bits
```

Parameters

None

Example

```
#get_serial_bits  
SERIAL DATA BITS IS 8
```

Related Commands

```
#get_serial_allow  
#get_serial_baud  
#get_serial_parity  
#get_serial_stop  
#set_serial_allow  
#set_serial_baud  
#set_serial_bits  
#set_serial_parity  
#set_serial_stop
```

#get_serial_parity

Displays the serial parity bit setting. Use the `#set_serial_parity` command to set the parity bit.

Syntax

```
#get_serial_parity
```

Parameters

None

Example

```
#get_serial_parity  
SERIAL PARITY MODE SET TO NONE
```

Related Commands

```
#get_serial_allow  
#get_serial_baud  
#get_serial_bits  
#get_serial_stop  
#set_serial_allow  
#set_serial_baud  
#set_serial_bits  
#set_serial_parity  
#set_serial_stop
```

#get_serial_stop

Displays the serial stop bits setting. Use the #set_serial_stop command to set the number of stop bits.

Syntax

```
#get_serial_stop
```

Parameters

None

Example

```
#get_serial_stop  
SERIAL STOP BITS IS 1
```

Related Commands

```
#get_serial_allow  
#get_serial_baud  
#get_serial_bits  
#get_serial_parity  
#set_serial_allow  
#set_serial_baud  
#set_serial_bits  
#set_serial_parity  
#set_serial_stop
```

#get_telnet_access

Displays the Telnet access state. Use the `#set_telnet_access` command to enable or disable Telnet access.

Syntax

```
#get_telnet_access
```

Parameters

None

Example

```
#get_telnet_access  
TELNET ACCESS IS ENABLED
```

Related Commands

```
#get_telnet_pass  
#get_telnet_port  
#get_telnet_welcome  
#set_telnet_access  
#set_telnet_pass  
#set_telnet_port  
#set_telnet_welcome  
#use_telnet_login  
#use_telnet_welcome
```

#get_telnet_pass

Displays the Telnet password state. Use the `#set_telnet_pass` command to enable or disable password credentials during a Telnet session.

Syntax

```
#get_telnet_pass
```

Parameters

None

Example

```
#get_telnet_pass  
TELNET INTERFACE PASSWORD IS DISABLED
```

Related Commands

```
#get_telnet_access  
#get_telnet_port  
#get_telnet_welcome  
#set_telnet_access  
#set_telnet_pass  
#set_telnet_port  
#set_telnet_welcome  
#use_telnet_login  
#use_telnet_welcome
```

#get_telnet_port

Displays the Telnet listening port.

Syntax

```
#get_telnet_port
```

Parameters

None

Example

```
#get_telnet_port  
TELNET COMMUNICATION PORT: 23
```

Related Commands

```
#get_telnet_access  
#get_telnet_pass  
#get_telnet_welcome  
#set_telnet_access  
#set_telnet_pass  
#set_telnet_port  
#set_telnet_welcome  
#use_telnet_login  
#use_telnet_welcome
```

#get_telnet_welcome

Displays the Telnet welcome message. Use the `#set_telnet_welcome` to create a custom welcome message.

Syntax

```
#get_telnet_welcome
```

Parameters

None

Example

```
#get_telnet_welcome
TELNET WELCOME IS ---- Welcome to the Gefen Telnet Server -----
```

Related Commands

```
#get_telnet_access
#get_telnet_pass
#get_telnet_port
#set_telnet_access
#set_telnet_pass
#set_telnet_port
#set_telnet_welcome
#use_telnet_login
#use_telnet_welcome
```


#get_tx_channel

Displays the video channel of the Sender unit. This command is only available when connected to a Sender unit.

Syntax

```
#get_tx_channel
```

Parameters

None

Example

```
#get_tx_channel
```

Related Commands

```
#get_rx_channel  
#set_tx_channel  
r
```

#get_udp_access

Displays the UDP access state. Use the `#set_udp_access` command to enable or disable UDP access.

Syntax

```
#get_udp_access
```

Parameters

None

Example

```
#get_udp_access  
UDP ACCESS IS ENABLED
```

Related Commands

```
#get_remote_udp_access  
#get_remote_udp_ip  
#get_remote_udp_port  
#get_udp_port  
#set_remote_udp_access  
#set_remote_udp_ip  
#set_remote_udp_port  
#set_udp_access  
#set_udp_port
```

#get_udp_port

Displays the local UDP listening port.

Syntax

```
#get_udp_port
```

Parameters

None

Example

```
#get_udp_port  
UDP COMMUNICATION PORT: 50007
```

Related Commands

```
#get_remote_udp_access  
#get_remote_udp_ip  
#get_remote_udp_port  
#get_udp_access  
#set_remote_udp_access  
#set_remote_udp_ip  
#set_remote_udp_port  
#set_udp_access  
#set_udp_port
```

#get_usb_allow

Displays the USB-over-IP state.

Syntax

```
#get_usb_allow
```

Parameters

None

Example

```
#get_usb_allow  
USB OVER IP is ENABLE
```

Related Commands

```
#get_usb_mode  
#get_usb_mouse  
#set_usb_allow  
#set_usb_mode  
#set_usb_mouse
```

#get_usb_mode

Displays the USB operating mode.

Syntax

```
#get_usb_mode
```

Parameters

None

Example

```
#get_usb_mode  
USB OPERATION MODE IS ACTIVE ON LINK
```

Related Commands

```
#get_usb_allow  
#get_usb_mouse  
#set_usb_allow  
#set_usb_mode  
#set_usb_mouse
```

#get_usb_mouse

Displays the mouse operating mode.

Syntax

```
#get_usb_mouse
```

Parameters

None

Example

```
#get_usb_mouse  
USB MOUSE MODE IS HIGH
```

Related Commands

```
#get_usb_allow  
#get_usb_mode  
#set_usb_allow  
#set_usb_mode  
#set_usb_mouse
```

#get_video_allow

Displays the Video-over-IP status. Use the `#set_video_allow` command to enable or disable video over IP.

Syntax

```
#get_video_allow
```

Parameters

None

Example

```
#get_video_allow  
VIDEO OVER IP is ENABLE
```

Related Commands

```
#set_video_allow
```

#get_web_port

Displays the HTTP listening port. Use the #set_web_port command to set the HTTP listening port.

Syntax

```
#get_web_port
```

Parameters

None

Example

```
#get_web_port  
WEB INTERFACE PORT: 80
```

Related Commands

```
#get_gateway  
#get_ip_address  
#get_ipconfig  
#set_gateway  
#set_ip_address  
#set_ip_mode  
#set_netmask  
#set_web_port
```


#help

Displays a list of available commands. The commands listed are specific to either the Sender or Receiver unit.

Syntax

```
#help
```

Parameters

None

Example

```
#help
```

```
#FACTORY_RESET
#GET_DISCOVERY
#GET_FIRMWARE_VERSION
#GET_GATEWAY
#GET_IPCONFIG
#GET_IP_ADDRESS
#GET_IP_MODE
...
...
#SET_TELNET_ACCESS
#SET_TELNET_PASS
#SET_TELNET_PORT
#SET_TELNET_WELCOME
#SET_TX_CHANNEL
#SET_UDP_ACCESS
#SET_UDP_PORT
#SET_USB_ALLOW
#SET_USB_MODE
#SET_USB_MOUSE
#SET_VIDEO_ALLOW
#SET_WEBUI_AD_PASS
#SET_WEBUI_USER_PASS
#SET_WEB_PORT
#USE_TELNET_LOGIN
#USE_TELNET_WELCOME
```

#reboot

Reboots the Sender / Receiver unit.

Syntax

```
#reboot
```

Parameters

None

Example

```
#reboot  
UNIT WILL REBOOT SHORTLY
```

Related Commands

```
#factory_reset
```

#set_description

Sets the description for the Sender / Receiver unit. The description string cannot exceed 30 characters in length. Spaces and underscore characters are acceptable. Avoid using symbols and special characters.

Syntax

```
#set_description param1
```

Parameters

param1	String
--------	--------

Example

```
#set_description Blu-ray_Panasonic
```

```
PRODUCT DESCRIPTION SET
```

Related Commands

```
#get_description  
#get_product_name
```

#set_discovery

Enables or disables the discovery feature. The default value is On.

Syntax

```
#set_discovery param1
```

Parameters

param1 Integer [0 ... 1]

param1	Description
0	Off
1	On

Example

```
#set_discovery 0  
DISCOVERY SERVICE SET TO DISABLED
```

Related Commands

```
#get_discovery  
#set_showme
```

#set_edid_copy

Enables or disables the EDID copy state. When *param1* = 1, the downstream EDID (connected to the Receiver unit) is copied to the Sender unit. If *param1* = 0, then the internal (default) EDID is used. This command is only available when connected to a Receiver unit.

Syntax

```
#set_edid_copy param1
```

Parameters

param1

Integer

[0 ... 1]

param1	Description
0	Off
1	On

Example

```
#set_edid_copy 1  
COPY EDID OF CONNECTED DISPLAY SET TO ENABLED  
PLEASE REBOOT THE UNIT TO APPLY CHANGES
```

Related Commands

```
#get_edid_copy
```

#set_gateway

Sets the gateway address. This command is only applicable when using Static IP mode. *param1* must be specified using dot-decimal notation.

Syntax

```
#set_gateway param1
```

Parameters

param1	IP Address
--------	------------

Example

```
#set_gateway 192.168.1.1
GATEWAY ADDRESS SET TO 192.168.1.1
PLEASE REBOOT THE UNIT TO APPLY CHANGES
```

Related Commands

```
#get_gateway
#get_ip_address
#get_ip_mode
#get_ipconfig
#get_netmask
#get_web_port
#set_ip_address
#set_ip_mode
#set_netmask
#set_web_port
```

#set_ip_address

Sets the IP address. *param1* must be specified using dot-decimal notation.

Syntax

```
#set_ip_address param1
```

Parameters

param1	IP Address
--------	------------

Example

```
#set_gateway 192.168.1.1  
GATEWAY ADDRESS SET TO 192.168.1.1  
PLEASE REBOOT THE UNIT TO APPLY CHANGES
```

Related Commands

```
#get_gateway  
#get_ip_address  
#get_ip_mode  
#get_ipconfig  
#get_netmask  
#get_web_port  
#set_gateway  
#set_ip_mode  
#set_netmask  
#set_web_port
```

#set_ip_mode

Sets the IP mode.

Syntax

```
#set_ip_mode param1
```

Parameters

param1 Integer [0 ... 2]

param1	Description
0	Static
1	DHCP
2	Auto IP

Example

```
#set_ip_mode 1
IP MODE SET TO DHCP
PLEASE REBOOT THE UNIT TO APPLY CHANGES
```

Related Commands

```
#get_gateway
#get_ip_address
#get_ip_mode
#get_ipconfig
#get_netmask
#get_web_port
#set_ip_address
#set_gateway
#set_netmask
#set_web_port
```


#set_jumbo_mtu

Enables or disables jumbo MTU (Maximum Transmission Unit) mode. When enabled, the MTU size is set to 8000 (8K jumbo frames).

Syntax

```
#set_jumbo_mtu param1
```

Parameters

param1 Integer [0 ... 1]

param1	Description
0	Disabled (MTU = 1500)
1	Enabled (MTU = 8000)

Example

```
#set_jumbo_mtu 1
JUMBO MTU SET TO ENABLED
PLEASE REBOOT THE UNIT TO APPLY CHANGES
```

Related Commands

```
#get_jumbo_mtu
```

#set_net_mode

Sets the network casting mode.

Syntax

```
#set_net_mode param1
```

Parameters

param1 Integer [0 ... 1]

param1	Description
0	Unicast
1	Multicast

Example

```
#set_net_mode 0  
NETWORK CASTING MODE SET TO UNICAST
```

Related Commands

```
#get_net_mode
```

#set_netmask

Sets the network mask address. *param1* must be specified using dot-decimal notation.

Syntax

```
#set_netmask param1
```

Parameters

param1	IP Address
--------	------------

Example

```
#set_netmask 255.255.255.0
NETMASK ADDRESS SET TO 255.255.255.0
PLEASE REBOOT THE UNIT TO APPLY CHANGES
```

Related Commands

```
#get_gateway
#get_ip_address
#get_ip_mode
#get_ipconfig
#get_netmask
#get_web_port
#set_ip_address
#set_ip_mode
#set_gateway
#set_web_port
```

#set_pq_mode

Sets the picture quality mode. This command is only available when connected to a Sender unit.

Syntax

```
#set_pq_mode param1
```

Parameters

param1 Integer [0 ... 1]

param1	Description
0	Graphic
1	Video

Example

```
#set_pq_mode 1  
TRANSMITTER PICTURE QUALITY SET TO VIDEO
```

Related Commands

```
#get_pq_mode
```

#set_remote_udp_access

Enables or disables remote UDP access.

Syntax

```
#set_remote_udp_access param1
```

Parameters

param1 Integer [0 ... 1]

param1	Description
0	Disabled
1	Enabled

Example

```
#set_remote_udp_access 1  
REMOTE UDP ACCESS SET TO ENABLED
```

Related Commands

```
#get_remote_udp_access  
#get_remote_udp_ip  
#get_remote_udp_port  
#get_udp_access  
#get_udp_port  
#set_remote_udp_access  
#set_remote_udp_ip  
#set_remote_udp_port  
#set_udp_access  
#set_udp_port
```

#set_remote_udp_ip

Set the remote UDP IP address. *param1* must be specified using dot-decimal notation.

Syntax

```
#set_remote_udp_ip param1
```

Parameters

param1	IP address
--------	------------

Example

```
#set_remote_udp_ip 192.168.1.29
```

```
REMOTE UDP IP ADDRESS SET TO 192.168.1.29  
PLEASE REBOOT THE UNIT TO APPLY CHANGES
```

Related Commands

```
#get_remote_udp_access  
#get_remote_udp_ip  
#get_remote_udp_port  
#get_udp_access  
#get_udp_port  
#set_remote_udp_access  
#set_remote_udp_port  
#set_udp_access  
#set_udp_port
```

#set_remote_udp_port

Set the remote UDP listening port.

Syntax

```
#set_remote_udp_port param1
```

Parameters

param1	Integer	[0 ... 65535]
--------	---------	---------------

Example

```
#set_remote_udp_port 50008
```

```
REMOTE UDP COMMUNICATIONS PORT IS SET TO PORT 50008  
PLEASE REBOOT THE UNIT TO APPLY CHANGES
```

Related Commands

```
#get_remote_udp_access  
#get_remote_udp_ip  
#get_remote_udp_port  
#get_udp_access  
#get_udp_port  
#set_remote_udp_access  
#set_remote_udp_ip  
#set_udp_access  
#set_udp_port
```

#set_rx_id

Sets the ID of the Receiver unit. This command is only available when connected to a Receiver unit.

Syntax

```
#set_rx_id param1
```

Parameters

param1	Integer	[0 ... 65535]
--------	---------	---------------

Example

```
#set_rx_id 10  
RX ID SET TO 10
```

Related Commands

```
#get_rx_id
```


#set_serial_allow

Enables or disables serial over IP.

Syntax

```
#set_serial_allow param1
```

Parameters

param1 Integer [0 ... 1]

param1	Description
0	Disable
1	Enable

Example

```
#set_serial_allow 0
```

```
SERIAL OVER IP SET TO DISABLED
```

Related Commands

```
#get_serial_allow  
#get_serial_baud  
#get_serial_bits  
#get_serial_parity  
#get_serial_stop  
#set_serial_baud  
#set_serial_bits  
#set_serial_parity  
#set_serial_stop
```

#set_serial_baud

Sets the baud rate for the serial port.

Syntax

```
#set_serial_baud param1
```

Parameters

param1 Integer [0 ... 11]

param1	Description (baud rate)
0	300
1	600
2	1200
3	2400
4	4800
5	9600
6	14400
7	19200
8	38400
9	57600
10	115200
11	230400

Example

```
#set_serial_baud 7
SERIAL BAUD RATE SET TO 19200
```

Related Commands

```
#get_serial_allow          #set_serial_allow
#get_serial_baud          #set_serial_bits
#get_serial_bits          #set_serial_parity
#get_serial_parity        #set_serial_stop
#get_serial_stop
```

#set_serial_bits

Sets the data bits for the serial port.

Syntax

```
#set_serial_bits param1
```

Parameters

param1 Integer [0 ... 3]

param1	Description (data bits)
0	5
1	6
2	7
3	8

Example

```
#set_serial_bits 3
SERIAL DATA BITS SET TO 8
```

Related Commands

```
#get_serial_allow
#get_serial_baud
#get_serial_bits
#get_serial_parity
#get_serial_stop
#set_serial_allow
#set_serial_baud
#set_serial_bits
#set_serial_parity
#set_serial_stop
```

#set_serial_parity

Sets the parity bit setting for the serial port.

Syntax

```
#set_serial_parity param1
```

Parameters

param1 Integer [0 ... 2]

param1	Description
0	None
1	Odd
2	Even

Example

```
#set_serial_parity 0  
SERIAL PARITY MODE SET TO NONE
```

Related Commands

```
#get_serial_allow  
#get_serial_baud  
#get_serial_bits  
#get_serial_parity  
#get_serial_stop  
#set_serial_allow  
#set_serial_baud  
#set_serial_bits  
#set_serial_stop
```

#set_serial_stop

Sets the number of stop bits for the serial port.

Syntax

```
#set_serial_stop param1
```

Parameters

param1 Integer [0 ... 1]

param1	Description (stop bits)
0	1
1	2

Example

```
#set_serial_stop 0  
SERIAL STOP BITS SET TO 1
```

Related Commands

```
#get_serial_allow  
#get_serial_baud  
#get_serial_bits  
#get_serial_parity  
#get_serial_stop  
#set_serial_allow  
#set_serial_baud  
#set_serial_bits  
#set_serial_parity
```

#set_showme

Enables or disables the “Show Me” feature. When the “Show Me” feature is enabled, then both the **Power** and **Link** LED indicators, on the front panel, will flash. This quickly identifies a unit and is useful when multiple units are being used. The default setting is *disabled*.

Syntax

```
#set_showme param1
```

Parameters

param1 Integer [0 ... 1]

param1	Description
0	Disabled
1	Enabled

Example

```
#set_showme 1  
SHOW ME ENABLED
```

Related Commands

```
#get_discovery  
#set_discovery
```

#set_telnet_access

Enables or disables Telnet access.

Syntax

```
#set_telnet_access param1
```

Parameters

param1 Integer [0 ... 1]

param1	Description
0	Disabled
1	Enabled

Example

```
#set_telnet_access 1
TELNET ACCESS SET TO ENABLED
```

Related Commands

```
#get_telnet_access
#get_telnet_pass
#get_telnet_port
#get_telnet_welcome
#set_telnet_pass
#set_telnet_port
#set_telnet_welcome
#use_telnet_login
#use_telnet_welcome
```

#set_telnet_pass

Sets the Telnet password. The password cannot exceed 8 characters in length and is case-sensitive. No special characters are allowed. The default password is `admin`.

Syntax

```
#set_telnet_pass param1
```

Parameters

param1	String
--------	--------

Example

```
#set_telnet_pass b055man
TELNET INTERFACE PASSWORD IS SET
```

Related Commands

```
#get_telnet_access
#get_telnet_pass
#get_telnet_port
#get_telnet_welcome
#set_telnet_access
#set_telnet_port
#set_telnet_welcome
#use_telnet_login
#use_telnet_welcome
```


#set_telnet_port

Sets the Telnet listening port.

Syntax

```
#set_telnet_port param1
```

Parameters

param1	Integer	[0 ... 65535]
--------	---------	---------------

Example

```
#set_telnet_port 23
TELNET COMMUNICATIONS PORT SET TO PORT 23
PLEASE REBOOT THE UNIT TO APPLY CHANGES
```

Related Commands

```
#get_telnet_access
#get_telnet_pass
#get_telnet_port
#get_telnet_welcome
#set_telnet_access
#set_telnet_pass
#set_telnet_welcome
#use_telnet_login
#use_telnet_welcome
```

#set_telnet_welcome

Sets the Telnet welcome message. The welcome message cannot exceed eight characters in length.

Syntax

```
#set_telnet_welcome param1
```

Parameters

param1	String
--------	--------

Example

```
#set_telnet_welcome Welcome!  
TELNET WELCOME MESSAGE SET TO Welcome!  
PLEASE REBOOT THE UNIT TO APPLY CHANGES
```

Related Commands

```
#get_telnet_access  
#get_telnet_pass  
#get_telnet_port  
#get_telnet_welcome  
#set_telnet_access  
#set_telnet_pass  
#set_telnet_port  
#use_telnet_login  
#use_telnet_welcome
```

#set_tx_channel

Sets the video channel for the Sender unit. This command is only available when connected to the Sender unit.

Syntax

```
#set_tx_channel param1
```

Parameters

param1	Integer	[0 ... 255]
--------	---------	-------------

Example

```
#set_tx_channel 1  
TRANSMITTER CHANNEL SET TO 1  
PLEASE REBOOT THE UNIT TO APPLY CHANGES
```

Related Commands

```
#get_tx_channel  
#get_rx_channel  
r
```

#set_udp_access

Enables or disables UDP access.

Syntax

```
#set_udp_access param1
```

Parameters

param1 Integer [0 ... 1]

param1	Description
0	Disabled
1	Enabled

Example

```
#set_udp_access 0
UDP ACCESS SET TO DISABLED
```

Related Commands

```
#get_remote_udp_access
#get_remote_udp_ip
#get_remote_udp_port
#get_udp_access
#get_udp_port
#set_remote_udp_access
#set_remote_udp_ip
#set_remote_udp_port
#set_udp_port
```

#set_udp_port

Sets the local UDP listening port.

Syntax

```
#set_udp_port param1
```

Parameters

param1	Integer	[0 ... 65535]
--------	---------	---------------

Example

```
#set_udp_port 50007
UDP COMMUNICATION IS SET TO PORT 50007
PLEASE REBOOT THE UNIT TO APPLY CHANGES.
```

Related Commands

```
#get_remote_udp_access
#get_remote_udp_ip
#get_remote_udp_port
#get_udp_access
#get_udp_port
#set_remote_udp_access
#set_remote_udp_ip
#set_remote_udp_port
#set_udp_access
```

#set_usb_allow

Enables or disables the USB-over-IP feature.

Syntax

```
#set_usb_allow param1
```

Parameters

param1 Integer [0 ... 1]

param1	Description
0	Disabled
1	Enabled

Example

```
#set_usb_allow 1  
USB OVER IP SET TO ENABLED
```

Related Commands

```
#get_usb_allow  
#get_usb_mode  
#get_usb_mouse  
#set_usb_mode  
#set_usb_mouse
```

#set_usb_mode

Sets the USB operating mode.

Syntax

```
#set_udp_port param1
```

Parameters

param1 Integer [0 ... 1]

param1	Description
0	Active per request
1	Active on link

Example

```
#set_usb_mode 0  
USB OPERATION MODE SET TO ACTIVE PER REQUEST
```

Related Commands

```
#get_usb_allow  
#get_usb_mode  
#get_usb_mouse  
#set_usb_allow  
#set_usb_mouse
```

#set_usb_mouse

Sets the USB mouse mode.

Syntax

```
#set_udp_port param1
```

Parameters

param1 Integer [0 ... 1]

param1	Description
0	High resolution
1	Compatibility

Example

```
#set_usb_mouse 0  
USB_MOUSE_MODE SET TO HIGH RESOLUTION
```

Related Commands

```
#get_usb_allow  
#get_usb_mode  
#get_usb_mouse  
#set_usb_allow  
#set_usb_mode
```


#set_video_allow

Enables or disables the Video-over-IP feature.

Syntax

```
#set_video_allow param1
```

Parameters

param1 Integer [0 ... 1]

param1	Description
0	Disabled
1	Enabled

Example

```
#set_video_allow 1  
VIDEO OVER IP IS SET TO ENABLED
```

Related Commands

```
#get_video_allow
```

#set_web_port

Sets the HTTP listening port.

Syntax

```
#set_web_port param1
```

Parameters

param1	Integer	[0 ... 65535]
--------	---------	---------------

Example

```
#set_web_port 82  
WEB INTERFACE PORT SET TO 80  
PLEASE REBOOT THE UNIT TO APPLY CHANGES
```

Related Commands

```
#get_gateway  
#get_ip_address  
#get_ip_mode  
#get_ipconfig  
#get_netmask  
#get_web_port  
#set_gateway  
#set_ip_address  
#set_ip_mode  
#set_netmask
```

#set_webui_ad_pass

Sets the Administrator password for the Web interface login. The password cannot exceed eight characters in length. The default password is `admin`.

Syntax

```
#set_webui_ad_pass param1
```

Parameters

<code>param1</code>	Password
---------------------	----------

Example

```
#set_webui_ad_pass b05Sman  
WEB UI ADMINISTRATOR PASSWORD IS SET
```

Related Commands

```
#set_webui_user_pass
```

#set_webui_user_pass

Sets the User password for the Web interface login. The password cannot exceed eight characters in length. The default password is `user`.

Syntax

```
#set_webui_user_pass param1
```

Parameters

param1	Password
--------	----------

Example

```
#set_webui_user_pass mlni0n  
WEB UI USER PASSWORD IS SET
```

Related Commands

```
#set_webui_ad_pass
```

#use_telnet_login

Enables or disables Telnet login credentials.

Syntax

```
#use_telnet_login param1
```

Parameters

param1 Integer [0 ... 1]

param1	Description
0	Disabled
1	Enabled

Example

```
#use_telnet_login 1
Password for 'root' changed
Password for 'Administrator' changed
Password for 'User' changed
TELNET INTERFACE LOGIN SET TO ENABLED
PLEASE REBOOT THE UNIT TO APPLY CHANGES
```

Related Commands

```
#get_telnet_access
#get_telnet_pass
#get_telnet_port
#get_telnet_welcome
#set_telnet_access
#set_telnet_pass
#set_telnet_port
#set_telnet_welcome
#use_telnet_welcome
```

#use_telnet_welcome

Enables or disables the Telnet welcome message.

Syntax

```
#use_telnet_welcome param1
```

Parameters

param1 Integer [0 ... 1]

param1	Description
0	Disabled
1	Enabled

Example

```
#use_telnet_welcome 1
TELNET WELCOME SCREEN IS ENABLED
PLEASE REBOOT THE UNIT TO APPLY CHANGES
```

Related Commands

```
#get_telnet_access
#get_telnet_pass
#get_telnet_port
#get_telnet_welcome
#set_telnet_access
#set_telnet_pass
#set_telnet_port
#set_telnet_welcome
#use_telnet_login
```

r

Changes a Receiver unit to the specified video channel. Changing the video channel allows a Receiver unit to accept the signal from a Sender unit that uses the same video channel. This command is only available when connected to a Receiver unit. Do not precede this command with the # symbol.

Syntax

```
r param1
```

Parameters

param1	Integer	[0 ... 255]
--------	---------	-------------

Example

```
r 1  
TRANSMITTER 1 ROUTED TO RECEIVER
```

Related Commands

```
#get_rx_channel  
#set_tx_channel
```


VGA KVM over IP

4

Appendix

Channel Setup	
Channel Selection	0

Picture	
Picture Quality Mode	Video

IP Setup	
MAC Address	Device-dependent (cannot be modified)
IP Address	Auto IP mode: Sender = 169.254.x.x Receiver = 169.254.x.x Static IP mode: Sender = 192.168.1.72 Receiver = 192.168.1.73 DHCP mode: Determined by DHCP server
Subnet Mask	255.255.255.0
Default Gateway	Auto IP mode: 169.254.x.x Static IP mode: 192.168.1.1 DHCP mode: Determined by DHCP server
HTTP Port	80
TCP / Telnet Port	23
Enable Telnet / TCP Access	Enabled
UDP Port	50007
Enable UDP Access	Disabled
Remote UDP IP Address	192.168.1.255
Remote UDP Port	50008
Enable Remote UDP Access	Disabled
Gefen Syner-G Discovery	Enabled
Find Your Device	Hide Me
MTU Size	8000

(continued on next page)

Network	
Network Mode	Unicast

EDID Management	
Enable Video over IP	Enabled
Copy EDID of Connected Display (Receiver unit only)	Enabled

USB over IP	
Enable USB over IP	Enabled
Operation Mode	Active per request
USB Mouse Mode	High Resolution

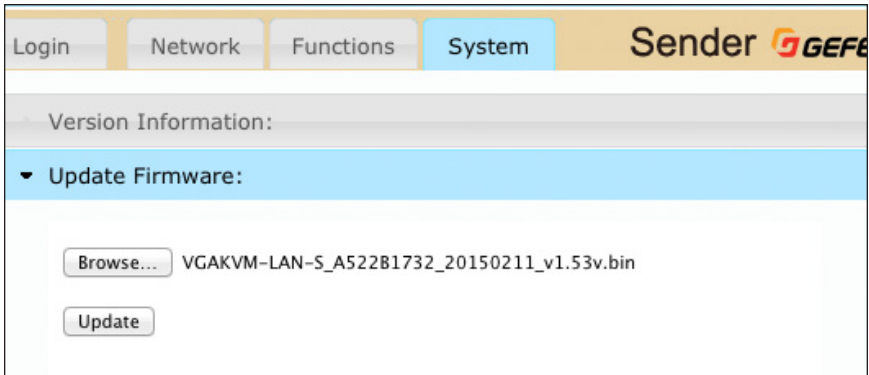
Serial over IP	
Enable Serial over IP	Enabled
Baud rate	19200
Data bits	8
Parity	None
Stop bits	1

The following items are required to upgrade the firmware:

- Gefen VGA KVM over IP
- Computer (Mac or PC)
- Firmware files

1. Download the firmware for the VGA KVM over IP from the Gefen Web site.
2. Extract both firmware files from the .ZIP file. The .ZIP file contains two files:
 - ▶ VGAKVM-LAN-S_[version].bin (Sender unit)
 - ▶ VGAKVM-LAN-R_[version].bin (Receiver unit)
3. Access the Web interface by entering the IP address of the Sender or Receiver unit. The order in which the Sender and Receiver units are upgraded does not matter.
4. Under the **System** tab, click the **Update Firmware** tab.
5. Click the **Browse...** button and select the firmware for the unit that is being upgraded: If upgrading the Sender unit, the filename will contain the letter "S". If upgrading the Receiver unit, the filename will contain the letter "R".

In the example below, we will be updating the Sender unit. Therefore, we need the filename that contains the letter "S".



6. Click the **Update** button.
7. After a few moments, the Web interface will indicate that the upgrade process has been started.

▼ Update Firmware:

Firmware Update Progress:

```

firmware file name: VGAKVM-LAN-S_A522B1732_20150211_v1.53v.bin
firmware file size: 5158242 bytes
Decompressing firmware...
Platform matched.
Start programming flash...
programming bootloader...
programming kernel...

```

Please wait... 12 %

8. Once the firmware upgrade process has completed, the VGA KVM over IP will reboot.

▼ Update Firmware:

Firmware Update Progress:

```

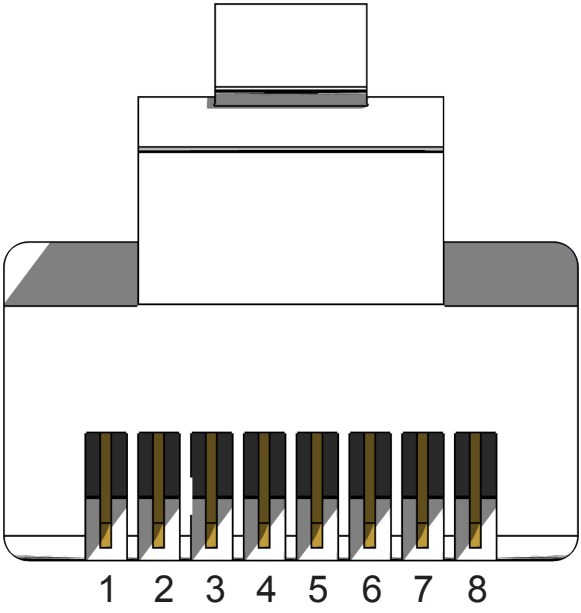
firmware file name: VGAKVM-LAN-S_A522B1732_20150211_v1.53v.bin
firmware file size: 5158242 bytes
Decompressing firmware...
Platform matched.
Start programming flash...
programming bootloader...
programming kernel...
programming rootfs...
programming rootfs patch...
programming parameters...
Programming completed

```

DONE. Rebooting...

9. Repeat the process for each Sender and Receiver unit in the system.

Front of RJ-45 Connector



Gefen recommends the TIA/EIA-568-B wiring option. Use the table below when field-terminating cable for use with Gefen products.

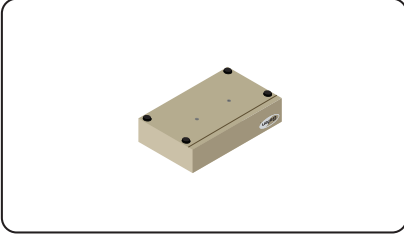
Pin	Color	Description
1	Orange / White	TD+ (Transmit Data, positive differential signal)
2	Orange	TD- (Transmit Data, negative differential signal)
3	Green / White	RD+ (Receive Data, positive differential signal)
4	Blue	Unused
5	Blue / White	Unused
6	Green	RD- (Receive Data, negative differential signal)
7	Brown / White	Unused
8	Brown / White	Unused

Information
 Shielded CAT-5e (or better) cabling is recommended.

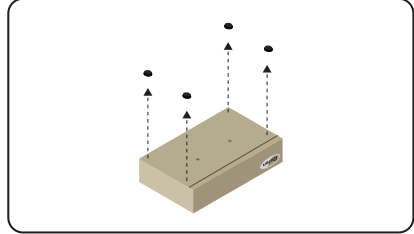
Rack Tray Installation

The following illustrations provide instructions for installing the Sender and/or Receiver unit(s) in the *Gefen 1U Rack Tray* (Gefen part no. EXT-RACK-1U).

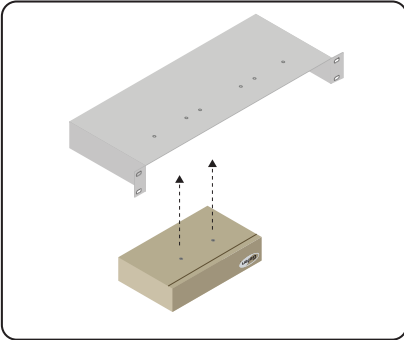
Step 1 Turn unit upside down.



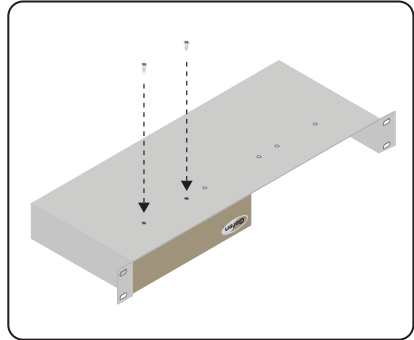
Step 2 Remove rubber feet.



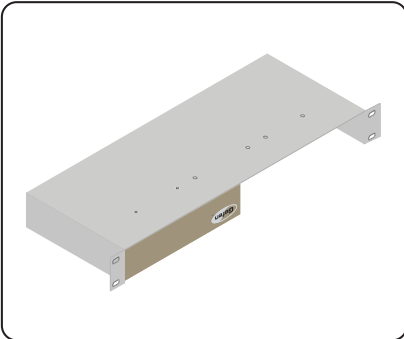
Step 3 Line up holes on unit and rack tray.



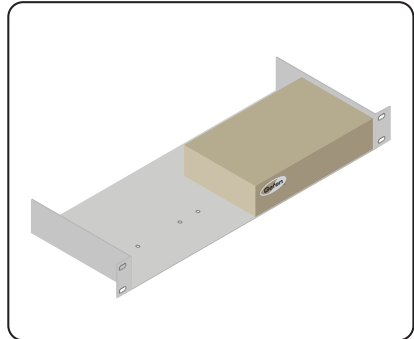
Step 4 Install countersink screws.



Step 5 Ensure the unit is installed securely.



Step 6 Unit has been installed into rack tray.



Supported Formats

Resolutions (max.)	<ul style="list-style-type: none"> • 1920 x 1200 (WUXGA)
--------------------	---

Connectors, Controls, and Indicators

Video Input (Sender)	<ul style="list-style-type: none"> • 1 x VGA HD-15, female, locking
Video Output (Receiver)	<ul style="list-style-type: none"> • 1 x VGA HD-15, female, locking
Audio (Sender)	<ul style="list-style-type: none"> • 1 x 3.5mm mini-stereo (Line In) • 1 x 3.5mm mini-stereo (Line Out)
Audio (Receiver)	<ul style="list-style-type: none"> • 1 x 3.5mm mini-stereo (Line Out) • 1 x 3.5mm mini-stereo (Mic In)
USB (Sender)	<ul style="list-style-type: none"> • 1 x Type B, female
USB (Receiver)	<ul style="list-style-type: none"> • 2 x Type A, female
Ethernet (Sender)	<ul style="list-style-type: none"> • 1 x RJ-45
Ethernet (Receiver)	<ul style="list-style-type: none"> • 3 x RJ-45, shielded
IR Emitter (Sender)	<ul style="list-style-type: none"> • 1 x 3.5mm mini-mono jack
IR Ext. (Receiver)	<ul style="list-style-type: none"> • 1 x 3.5mm mini-stereo jack
RS-232 (Sender)	<ul style="list-style-type: none"> • 1 x DB-9, female
RS-232 (Receiver)	<ul style="list-style-type: none"> • 1 x DB-9, male
Reset button (Sender)	<ul style="list-style-type: none"> • 1 x Push button, tact-type
Mode button (Sender)	<ul style="list-style-type: none"> • 1 x Push button, tact-type
Switch button (Receiver)	<ul style="list-style-type: none"> • 1 x Push button, tact-type
Link indicator (Sender / Receiver)	<ul style="list-style-type: none"> • 1 x LED, green
Power indicator (Sender / Receiver)	<ul style="list-style-type: none"> • 1 x LED, blue

Operational

Maximum Video Bandwidth	<ul style="list-style-type: none"> • 350 MHz
Power	<ul style="list-style-type: none"> • 5V DC
Power consumption	<ul style="list-style-type: none"> • 10W ea. (max.)

Physical

Dimensions (W x H x D)	<ul style="list-style-type: none"> • 8.4" x 1.7" x 4.5" (213mm x 43mm x 113mm)
Unit Weight	<ul style="list-style-type: none"> • 2.0 lbs. (0.91 kg)

A

Audio

- connecting 49
- multicast mode 51
- unicast mode 50

C

Commands

- #factory_reset 66
- #get_description 67
- #get_discovery 68
- #get_edid_copy 69
- #get_firmware_version 70
- #get_gateway 71
- #get_hardware_version 72
- #get_ip_address 73
- #get_ipconfig 75
- #get_ip_mode 74
- #get_jumbo_mtu 76
- #get_netmask 78
- #get_net_mode 77
- #get_pq_mode 79
- #get_product_name 80
- #get_remote_udp_access 81
- #get_remote_udp_ip 82
- #get_remote_udp_port 83
- #get_rx_channel 84
- #get_rx_id 85
- #get_serial_allow 86
- #get_serial_baud 87
- #get_serial_bits 88
- #get_serial_parity 89
- #get_serial_stop 90
- #get_telnet_access 91
- #get_telnet_pass 92
- #get_telnet_port 93
- #get_telnet_welcome 94
- #get_tx_channel 95
- #get_udp_access 96
- #get_udp_port 97
- #get_usb_allow 98
- #get_usb_mode 99
- #get_usb_mouse 100
- #get_video_allow 101
- #get_web_port 102
- #help 103
- r 141

- #reboot 104
- #set_description 105
- #set_discovery 106
- #set_edid_copy 107
- #set_gateway 108
- #set_ip_address 109
- #set_ip_mode 110
- #set_jumbo_mtu 111
- #set_netmask 113
- #set_net_mode 112
- #set_pq_mode 114
- #set_remote_udp_access 115
- #set_remote_udp_ip 116
- #set_remote_udp_port 117
- #set_rx_id 118
- #set_serial_allow 119
- #set_serial_baud 120
- #set_serial_bits 121
- #set_serial_parity 122
- #set_serial_stop 123
- #set_showme 124
- #set_telnet_access 125
- #set_telnet_pass 126
- #set_telnet_port 127
- #set_telnet_welcome 128
- #set_tx_channel 129
- #set_udp_access 130
- #set_udp_port 131
- #set_usb_allow 132
- #set_usb_mode 133
- #set_usb_mouse 134
- #set_video_allow 135
- #set_web_port 136
- #set_webui_ad_pass 137
- #set_webui_user_pass 138
- #use_telnet_login 139
- #use_telnet_welcome 140

Configuration. *See* Installation

D

Data packet size. *See* MTU Size
Discovery Mode 30

E

- EDID Management
 - downstream (external) EDID* 48
 - internal EDID* 47
- Ethernet
 - ports* 5

F

- Features *vii*

G

- Gefen Syner-G. *See* Discovery Mode

I

- Installation
 - Local Area Network (LAN)* 6
 - supplementary connections* 14
 - using a direct connection* 12
 - wiring diagram (LAN)* 15
- IR
 - sensor* 4
- IR Ext
 - port* 5
- IR Out
 - port* 3

L

- Licensing *iv*
- Line In
 - port* 3
- Line Out
 - port* 3, 4
- Link
 - indicator* 2, 4
 - port* 3

M

- Mic In
 - port* 4
- Mode
 - button* 2

- MTU Size 33
- Multicast Mode
 - configuring* 28
 - USB control* 41

O

- Operating Notes *vi*

P

- Packing list *vii*
- Password
 - changing* 54
- Picture Quality (PQ) Mode. *See* Video: setting the video mode
- Power
 - indicator* 2, 4
 - receptacle* 3, 5

R

- Rebooting
 - using the Front Panel* 59
 - using the Web Interface* 58
- Receiver Unit 4
- Reset
 - button* 2, 4
- Resetting
 - using the Front Panel* 57
 - using the Web Interface* 55
- RS-232
 - multicast mode* 38
 - port* 3, 5
 - unicast mode* 38
 - using* 35

S

- Safety Instructions *ii*
- Sender Unit 2
- Specifications 150
- Switch
 - button* 4

T

- Table of Contents *viii*
- Technical Support *v*
- Telnet
 - using 62*

U

- Unicast Mode
 - configuring 23*
 - switching 25*
 - USB control 39*
- USB
 - port 3, 4*
- USB Control
 - Active on link mode 45*
 - Active per request mode 44*
 - multicast mode 41*
 - unicast mode 39*

V

- VGA In
 - port 3*
- VGA Out
 - port 5*
- Video
 - channel 18*
 - disabling 22*
 - enabling 22*
 - setting the video mode 52*

W

- Warranty Information *iii*



20600 Nordhoff St., Chatsworth CA 91311
1-800-545-6900 818-772-9100 fax: 818-772-9120
www.gefen.com support@gefen.com