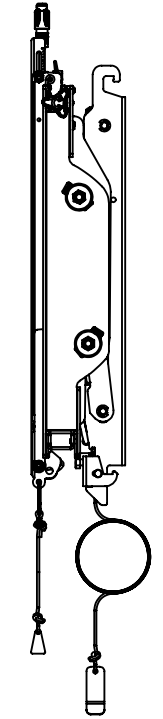
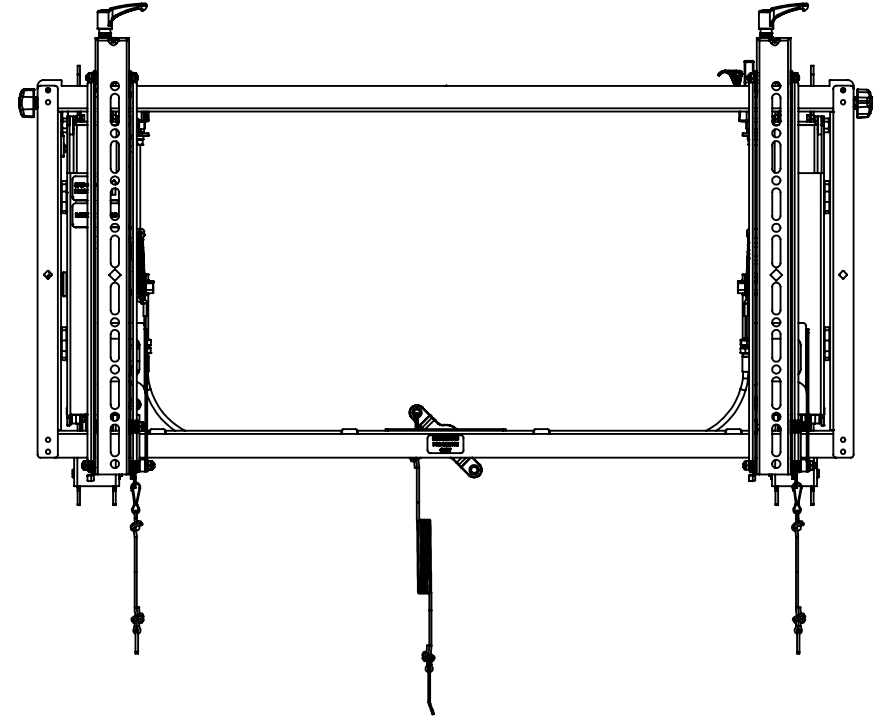
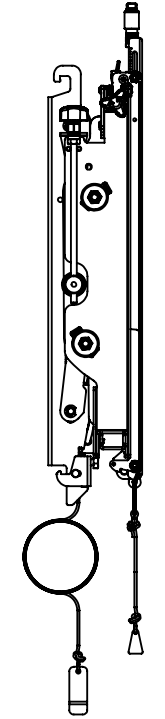
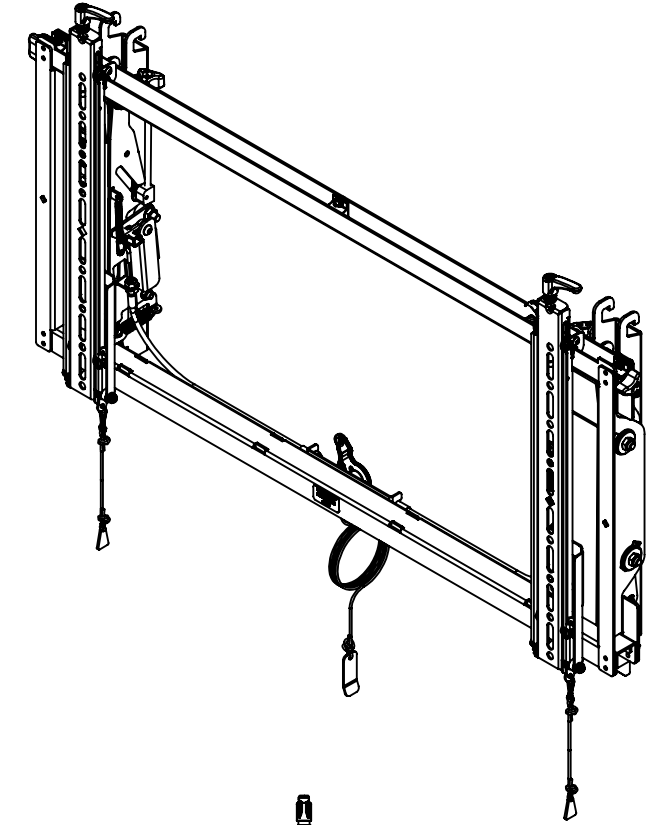
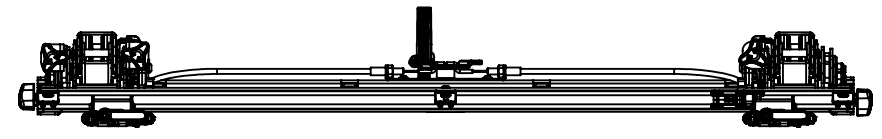
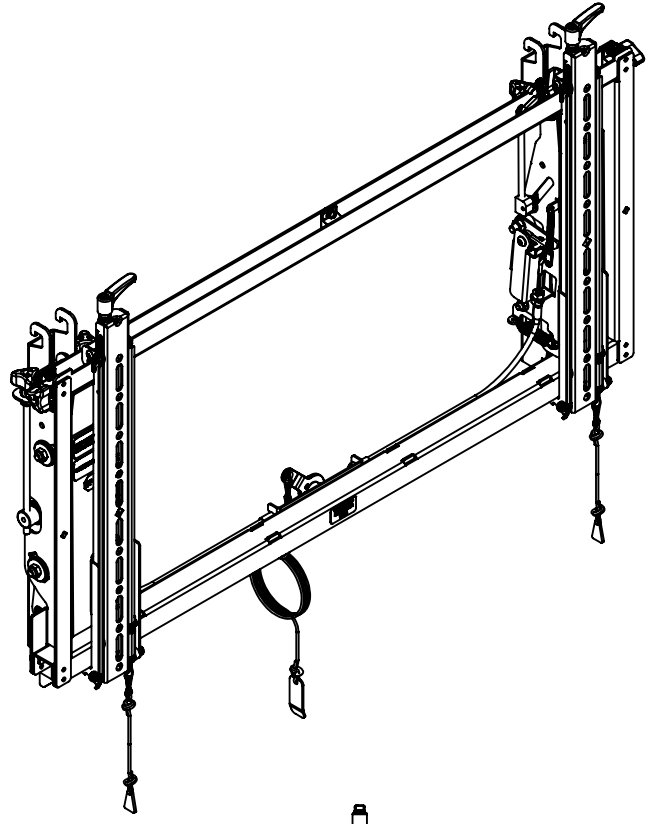



WALL RAILS NOT INCLUDED IN LV SXU VERSION. WALL RAILS SHOWN FOR DEPTH AND POSITION MEASUREMENTS. 13/16" WALL STRUT SHOWN. IF USING DEEPER CHANNEL ADD IN THE ADDITIONAL DEPTH.

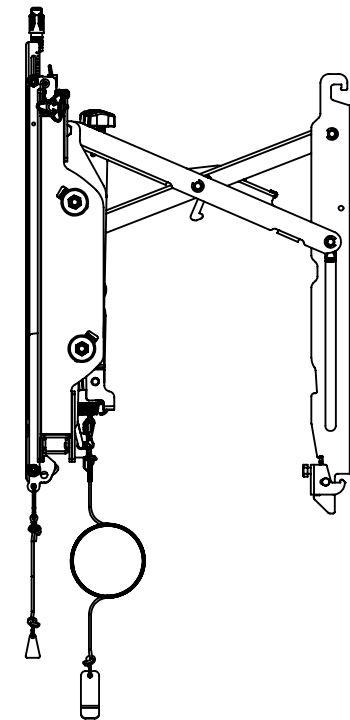
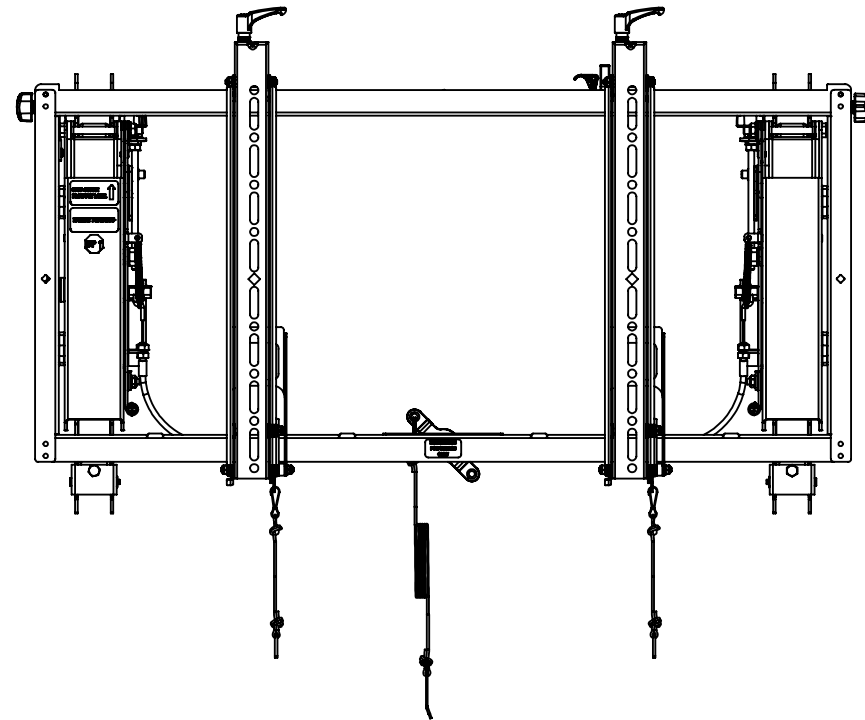
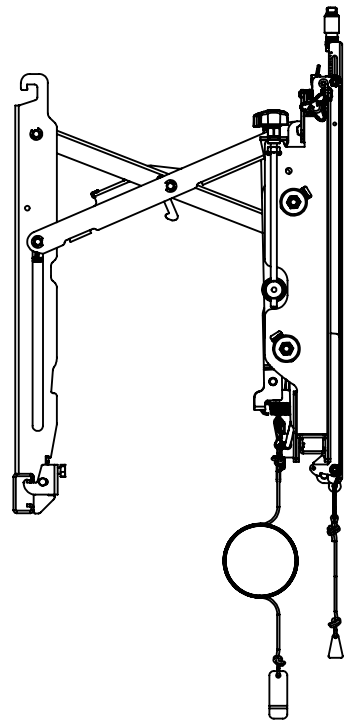
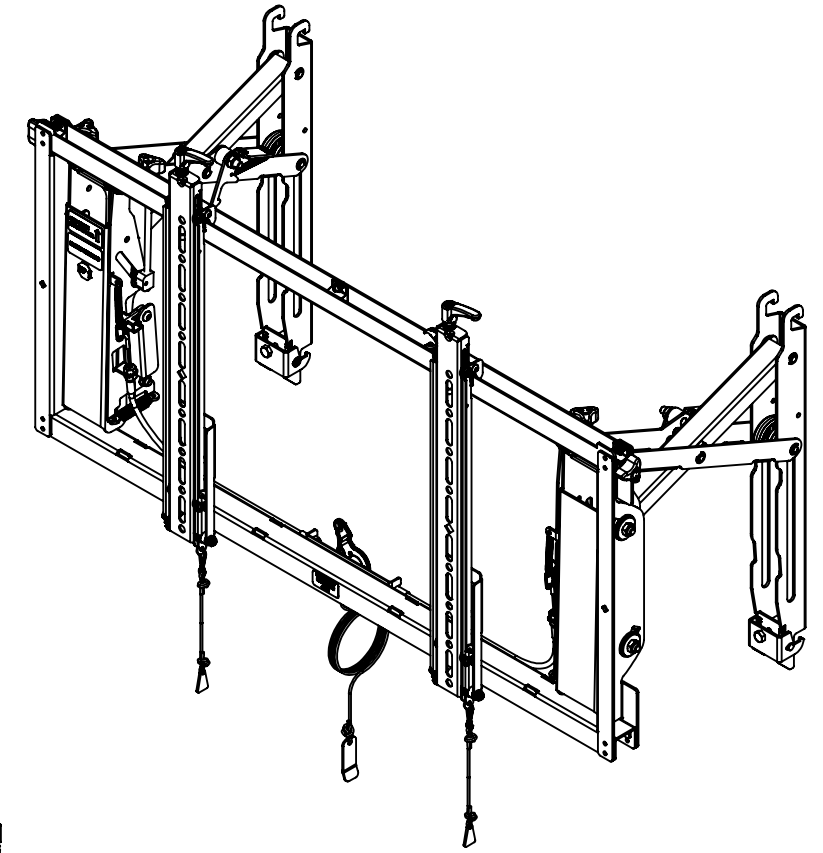
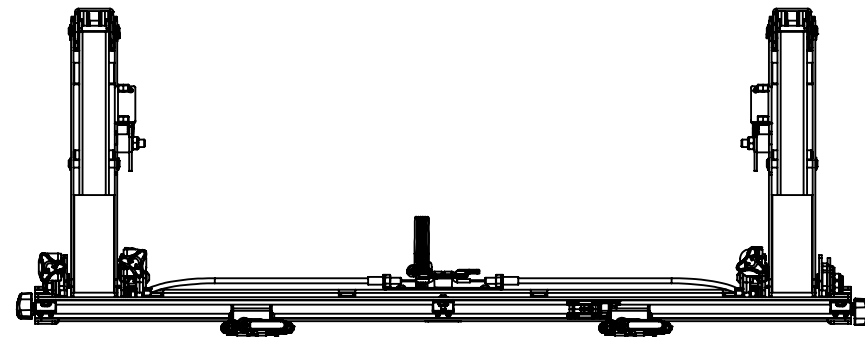
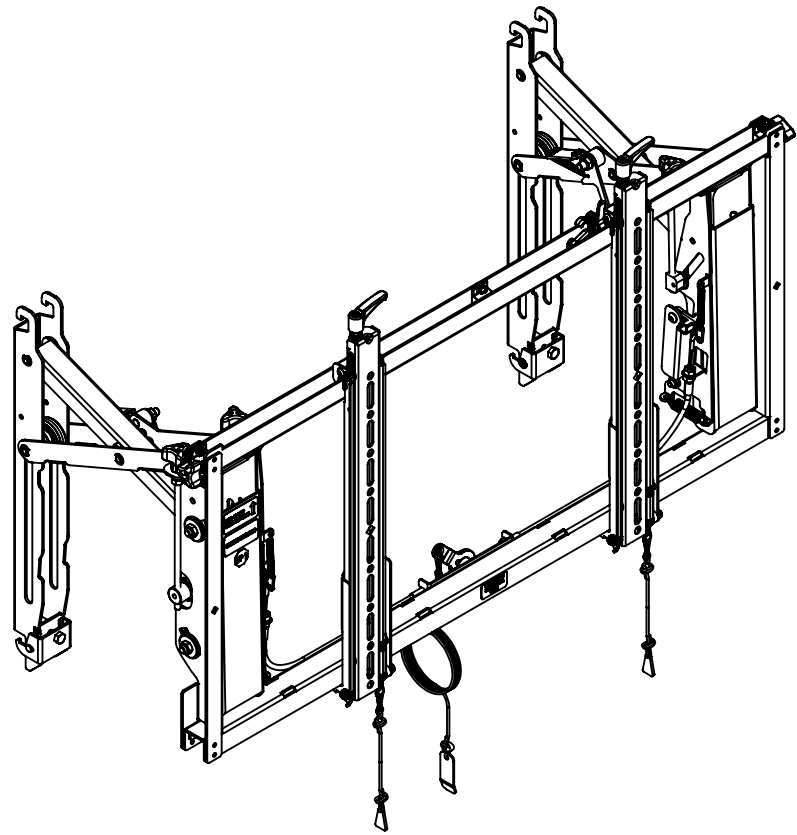
THE INFORMATION AND DESIGNS CONTAINED IN THIS DRAWING ARE CONFIDENTIAL AND THE PROPRIETARY PROPERTY OF MILESTONE AV TECHNOLOGIES NEITHER THIS DESIGN NOR ANY INFORMATION CONTAINED IN THIS DRAWING MAY BE REPRODUCED OR DISCLOSED TO OTHERS WITHOUT THE EXPRESS WRITTEN CONSENT OF MILESTONE AV TECHNOLOGIES.

CAD GENERATED DRAWING, DO NOT MANUALLY UPDATE.			<b>CHIEF</b>		6436 CITY WEST PKWY EDEN PRAIRIE MN, 55344 PHONE: 866-977-3901 FAX: 877-894-6918
DRAWN BY	MJS	12/2/2013	DESCRIPTION		
ENG APPROVAL	MJS	3/4/2014	LV SXU, VIDEO WALL MOUNT		
MFG APPROVAL			MODEL NO.		
QA APPROVAL			LV SXU		
SHEET 1 OF 3		SCALE	SIZE	DWG. NO.	REV.
		1:8	B	TECH-000566	01




THE INFORMATION AND DESIGNS CONTAINED IN THIS DRAWING ARE CONFIDENTIAL AND THE PROPRIETARY PROPERTY OF MILESTONE AV TECHNOLOGIES NEITHER THIS DESIGN NOR ANY INFORMATION CONTAINED IN THIS DRAWING MAY BE REPRODUCED OR DISCLOSED TO OTHERS WITHOUT THE EXPRESS WRITTEN CONSENT OF MILESTONE AV TECHNOLOGIES.

CAD GENERATED DRAWING, DO NOT MANUALLY UPDATE.				 6436 CITY WEST PKWY EDEN PRAIRIE MN, 55344 PHONE: 866-977-3901 FAX: 877-894-6918	
DRAWN BY	MJS	12/2/2013	DESCRIPTION		
ENG APPROVAL	MJS	3/4/2014	LVSXU, VIDEO WALL MOUNT		
MFG APPROVAL			MODEL NO.		
QA APPROVAL			LVSXU		
SHEET 2 OF 3		SCALE	SIZE	DWG. NO.	REV.
		1:8	B	TECH-000566	01



THE INFORMATION AND DESIGNS CONTAINED IN THIS DRAWING ARE CONFIDENTIAL AND THE PROPRIETARY PROPERTY OF MILESTONE AV TECHNOLOGIES NEITHER THIS DESIGN NOR ANY INFORMATION CONTAINED IN THIS DRAWING MAY BE REPRODUCED OR DISCLOSED TO OTHERS WITHOUT THE EXPRESS WRITTEN CONSENT OF MILESTONE AV TECHNOLOGIES.

CAD GENERATED DRAWING, DO NOT MANUALLY UPDATE.				 6436 CITY WEST PKWY EDEN PRAIRIE MN, 55344 PHONE: 866-977-3901 FAX: 877-894-6918	
DRAWN BY	MJS	12/2/2013	DESCRIPTION		
ENG APPROVAL	MJS	3/4/2014	LVSXU, VIDEO WALL MOUNT		
MFG APPROVAL			MODEL NO.		
QA APPROVAL			LVSXU		
SHEET 3 OF 3		SCALE	SIZE	DWG. NO.	REV.
		1:8	B	TECH-000566	01